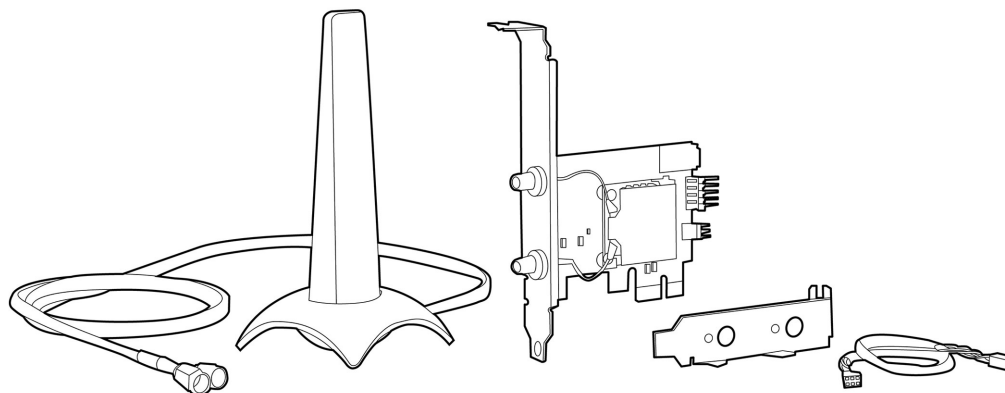


Overview



Models

Intel 7260 802.11 a/b/g/n PCIe x1 WLAN Card

F2P07AA

Introduction

Get premium Wi-Fi performance from a multi-stream (2x2), dual-band PCIe card that delivers faster speeds than legacy cards. Plus, get integrated Intel® vPro™ Technology,¹ Intel® Wireless Display,² and Intel® business-class management features.

Overview

Key Benefits

- Get faster speeds than with previous-generation cards from the 5 GHz dual-band wireless. Help reduce power consumption with integrated Intel Power Optimizer.
- Connect to and manage a wide range of devices with integrated Intel technologies that deliver a total wireless solution.
- Get enterprise manageability, a simplified user interface, and advanced IT tools that help improve security, reduce complexity, and save IT time and money with Intel® PROSet/Wireless Enterprise Software.
- Enable IT administrators to streamline deployments and remotely manage wireless settings.
- Improve the return on your technology investment with the integrated management and security features of Intel® vPro™ Technology and Intel® Active Management Technology.¹ Remotely manage, monitor, and support PCs and help reduce threats.
- Access and project all of your content in HD³ with one Wi-Fi connection.² Enjoy visually stunning 1080p video presentation, and Blu-ray and UltraViolet content with Intel® Wireless Display software.²
- Interact with the Windows 8 user interface and applications in real-time across Intel WiDi-enabled devices.²
 1. Some functionality of Intel® vPro™, such as Intel® Active Management Technology and Intel® Virtualization Technology, requires additional third-party software in order to run. Availability of future "virtual appliances" applications for Intel® vPro™ Technology is dependent on third-party software providers. Microsoft Windows required.
 2. Separately purchased projector, TV or computer monitor with an integrated or external WiDi receiver. WiDi certified wireless adapter required and sold separately.
 3. High-definition (HD) content required to view HD images.

Compatibility

HP ProDesk 400 G1 MT; HP ProDesk 400 G1 SFF; HP ProDesk 405 G1 MT; HP ProDesk 490 MT; HP ProDesk 600 G1 TWR, SFF; HP EliteDesk 800 G1 TWR, SFF; HP RP5 Retail System, Model 5800; .

NOTE: Please check this product's web page on HP.com for current compatibility information.

NOTE: Not all models are available in all regions.

Service and Support

Your Option Limited Warranty is a one (1) year (HP Option Limited Warranty Period) parts replacement warranty on any HP-branded or Compaq-branded options (HP Options). If your HP Option is installed in an HP Hardware Product, HP may provide warranty service either for the HP Option Limited Warranty Period or the remaining Limited Warranty Period of the HP Hardware Product in which the HP Option is being installed, whichever period is the longer but not to exceed three (3) years from the date you purchased the HP Option.

Warning! Do not replace or remove the Mini PCIe card from the card caddy. This product is only designed to be used with the Mini PCIe card that came with the caddy. Replacement or removal of the Mini PCIe card may affect your warranty coverage for this product. Tampering with or removal of the warning sticker located on the Mini PCIe card will constitute tampering with the Mini PCIe card.

Technical Specifications

Wireless LAN standards	IEEE 802.11a IEEE 802.11b IEEE 802.11g IEEE 802.11n
Interoperability	Wi-Fi certified Cisco Compatible Extensions Program compliant with Microsoft Windows 7, Windows Vista and XP (details at: http://www.hp.com/go/notebooks/WLAN) ¹
Frequency band	802.11b/g/n 2.402 - 2.482 GHz 802.11a/n 4.9 - 4.95 GHz (Japan) 5.15 - 5.25 GHz 5.25 - 5.35 GHz 5.47 - 5.725 GHz 5.825 - 5.850 GHz
Antenna structure	2 transmit; 2 receive (2x2)
Data rates	802.11a: 6, 9, 12, 18, 24, 36, 48, 54 Mbps 802.11b: 1, 2, 5.5, 11 Mbps 802.11g: 6, 9, 12, 18, 24, 36, 48, 54 Mbps 802.11n: MCS 0 ~ MCS 15, (20MHz, and 40MHz)
Modulation	Direct Sequence Spread Spectrum CCK, BPSK, QPSK, 16-QAM, 64-QAM
Security ²	<ul style="list-style-type: none">• IEEE and WiFi compliant 64 / 128 bit WEP encryption for a/b/g mode only• AES-CCMP: 128 bit in hardware• 802.1x authentication• WPA, WPA2: 802.1x. WPA-PSK, WPA2-PSK, TKIP, and AES• WPA2 certification• IEEE 802.11i• Cisco Certified Extensions, all versions through CCX4 and CCX Lite• WAPI
Sub-channels	Multinational support with frequency bands and channels compliant to local regulations.
Network architecture models	Ad-hoc (Peer to Peer) Infrastructure (Access Point Required)
Roaming	IEEE 802.11 compliant roaming between band Access Points
Output power ³ (approximately)	2.4G: +13.5dBm minimum 5G: +12dBm minimum
Power consumption	Transmit mode 2.0 Watts Receive Mode 1.6Watts Idle mode ⁴ 250mW (WLAN Associated) Idle mode 100 mW (WLAN unassociated) Radio off 75mW
Power management	ACPI and PCI Express compliant power management 802.11 compliant power saving mode
Receiver sensitivity ⁵	802.11g: -90 dBm (6 Mbps), -89 dBm (9 Mbps), -87 dBm (12 Mbps), -85 dBm (18 Mbps), -82 dBm (24 Mbps), -79 dBm (36 Mbps), -76 dBm (48 Mbps), -74 dBm (54 Mbps) 802.11b: -95 dBm (1 Mbps), -93 dBm (2 Mbps), -91 dBm (5.5 Mbps), -88 dBm (11 Mbps)

Technical Specifications

	802.11g:-90 dBm (6 Mbps), -89 dBm (9 Mbps), -87 dBm (12 Mbps), -85 dBm (18 Mbps), -82 dBm (24 Mbps), -79 dBm (36 Mbps), -76 dBm (48 Mbps), -74 dBm (54 Mbps)
	802.11n:-69 dBm (150 Mbps), -66 dBm (300 Mbps)
Antenna connections	2 U.FL type connectors (output impedance of 50 ± 2 ohms)
Form factor	PCI-Express Half-MiniCard
Dimensions	0.12 x 1.06 x 1.18 in (3.1 x 26.8 x 30.0 mm)
Weight	Approx. 0.122 lb (55.7 g)
Operating voltage	3.3V +/- 9%
Temperature	Operating 14° to 158° F (-10° to 70° C) Non-operating -40° to 176° F (-40° to 80° C)
Humidity	Operating 10% to 90% (non-condensing) Non-operating 5% to 95% (non-condensing)
Altitude	Operating 0 to 10,000 ft (3,048 m) Non-operating 0 to 50,000 ft (15,240 m)
LED activity	LED Amber - Radio OFF; LED White - Radio ON
OS support	Windows 8.1 Pro (64-bit)* Windows 8.1 (64-bit)* Windows 8 Pro (64-bit)* Windows 8 (64-bit)* Windows 7 Ultimate (32-bit)** Windows 7 Ultimate (64-bit)** Windows 7 Professional (32-bit)** Windows 7 Professional (64-bit)** Windows 7 Home Premium (32-bit)** Windows 7 Home Premium (64-bit)** Novell SUSE Linux Enterprise Desktop 11***

*Not all features are available in all editions of Windows 8. Systems may require upgraded and/or separately purchased hardware, drivers and/or software to take full advantage of Windows 8 functionality. See <http://www.microsoft.com>.

**Not all features are available in all editions of Windows 7. This system may require upgraded and/or separately purchased hardware to take full advantage of Windows 7 functionality. See <http://www.microsoft.com/windows/windows-7/> for details.

***Most features not available on Linux.

Option kit contents PCIe x1 card with full height bracket, rf antenna, antenna cable, separate low profile bracket, software CD and warranty.

1. WLAN supplier's client utility is required for Cisco Compatible Extensions support with Microsoft Windows XP. WLAN may also be compatible with certain third-party software supplicants. WLAN supplier IHV extensions required for Cisco Compatible Extensions support for Microsoft Windows Vista.
2. Check latest software/driver release for updates on supported security features.
3. Maximum output power may vary by country according to local regulations.
4. In Power Save Polling mode and on battery power.
5. Receiver sensitivity is measured at a packet error rate of 8% for 802.11b (CCK modulation) and a packet error rate of 10% for 802.11a/g (OFDM modulation).

Technical Specifications

© Copyright 2013 Hewlett-Packard Development Company, L.P. The information contained herein is subject to change without notice. The only warranties for HP products and services are set forth in the express warranty statements accompanying such products and services. Nothing herein should be construed as constituting an additional warranty. HP shall not be liable for technical or editorial errors or omissions contained herein.

Microsoft and Windows are US registered trademarks of Microsoft Corporation. Intel, the Intel logo, Intel, and Intel Centrino are trademarks or registered trademarks of Intel Corporation or its subsidiaries in the United States and other countries.