

**PORSCHE DESIGN**

**AGON**  
BY AOC

**USER MANUAL**  
**PD32M**

[www.aoc.com](http://www.aoc.com)

©2022 AOC. All rights reserved

Safety .....	1
National Conventions .....	1
Power .....	2
Installation .....	3
Cleaning .....	4
Other .....	5
Setup .....	6
Contents in Box .....	6
Setup Stand & Base .....	7
Adjusting the monitor .....	8
Connecting the Monitor .....	9
Wall Mounting .....	10
Adaptive-Sync function .....	11
HDR .....	12
Adjusting .....	13
Hotkeys .....	13
Quick Switch .....	14
OSD Setting .....	15
Game Setting .....	16
Luminance .....	17
Image Setup .....	18
Color Setup .....	20
Audio .....	21
Light FX .....	22
Extra .....	23
OSD Setup .....	24
LED Indicator .....	25
Troubleshoot .....	26
Specification .....	27
General Specification .....	27
Preset Display Modes .....	29
Pin Assignments .....	30
Plug and Play .....	31

# Safety

## National Conventions

The following subsections describe notational conventions used in this document.

### Notes, Cautions, and Warnings

Throughout this guide, blocks of text may be accompanied by an icon and printed in bold type or in italic type. These blocks are notes, cautions, and warnings, and they are used as follows:



**NOTE:** A NOTE indicates important information that helps you make better use of your computer system.





**CAUTION:** A CAUTION indicates either potential damage to hardware or loss of data and tells you how to avoid the problem.




**WARNING:** A WARNING indicates the potential for bodily harm and tells you how to avoid the problem. Some warnings may appear in alternate formats and may be unaccompanied by an icon. In such cases, the specific presentation of the warning is mandated by regulatory authority.


# Power


 The monitor should be operated only from the type of power source indicated on the label. If you are not sure of the type of power supplied to your home, consult your dealer or local power company.


 The monitor is equipped with a three-pronged grounded plug, a plug with a third (grounding) pin. This plug will fit only into a grounded power outlet as a safety feature. If your outlet does not accommodate the three-wire plug, have an electrician install the correct outlet, or use an adapter to ground the appliance safely. Do not defeat the safety purpose of the grounded plug.

 Unplug the unit during a lightning storm or when it will not be used for long periods of time. This will protect the monitor from damage due to power surges.

 Do not overload power strips and extension cords. Overloading can result in fire or electric shock.

 To ensure satisfactory operation, use the monitor only with UL listed computers which have appropriate configured receptacles marked between 100-240V AC, Min. 5A.

 The wall socket shall be installed near the equipment and shall be easily accessible.

 For use only with the attached power adapter

Manufacturers: LITE-ON Technology Corp.    Model: PA-1331-99 (19.5Vdc,16.9A)

Manufacturers: DELTA ELECTRONICS,INC.    Model: ADP-330CB B (19.5Vdc,16.9A)

# Installation

**!** Do not place the monitor on an unstable cart, stand, tripod, bracket, or table. If the monitor falls, it can injure a person and cause serious damage to this product. Use only a cart, stand, tripod, bracket, or table recommended by the manufacturer or sold with this product. Follow the manufacturer's instructions when installing the product and use mounting accessories recommended by the manufacturer. A product and cart combination should be moved with care.

**!** Never push any object into the slot on the monitor cabinet. It could damage circuit parts causing a fire or electric shock. Never spill liquids on the monitor.

**!** Do not place the front of the product on the floor.

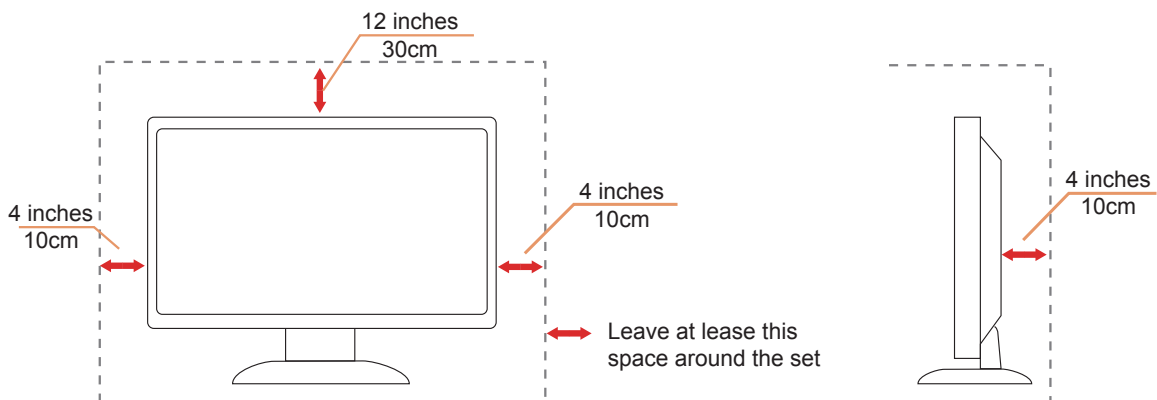
**!** If you mount the monitor on a wall or shelf, use a mounting kit approved by the manufacturer and follow the kit instructions.

**!** Leave some space around the monitor as shown below. Otherwise, air-circulation may be inadequate hence overheating may cause a fire or damage to the monitor.

**!** To avoid potential damage, for example the panel peeling from the bezel, ensure that the monitor does not tilt downward by more than -5 degrees. If the -5 degree downward tilt angle maximum is exceeded, the monitor damage will not be covered under warranty.

See below the recommended ventilation areas around the monitor when the monitor is installed on the wall or on the stand:

## Installed with stand



## Cleaning


⚠ Clean the cabinet regularly with cloth. You can use soft-detergent to wipe out the stain, instead of strong-detergent which will cauterize the product cabinet.


⚠ When cleaning, make sure no detergent is leaked into the product. The cleaning cloth should not be too rough as it will scratch the screen surface.


⚠ Please disconnect the power cord before cleaning the product.



## Other

 If the product is emitting a strange smell, sound or smoke, disconnect the power plug IMMEDIATELY and contact a Service Center.

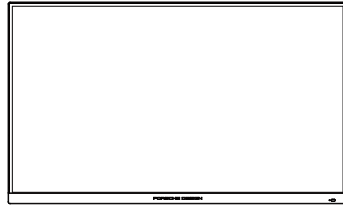
 Make sure that the ventilating openings are not blocked by a table or curtain.

 Do not engage the LCD monitor in severe vibration or high impact conditions during operation.

 Do not knock or drop the monitor during operation or transportation.

# Setup

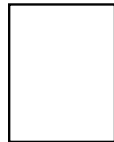
## Contents in Box



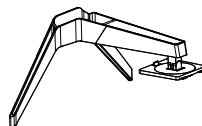
Monitor



QSG



Warranty Card



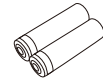
Stand/Base



Quick Switch Keypad



Porsche Design  
USB Disk



Battery



Power Cable



Adaptor



DP Cable



HDMI Cable



USB Cable



USB C-C Cable



Micphone Cable

\* Not all signal cables will be provided for all countries and regions. Please check with the local dealer or AOC branch office for confirmation.



For use only with the attached power adapter

Manufacturers: LITE-ON Technology Corp. Model: PA-1331-99 (19.5Vdc,16.9A)

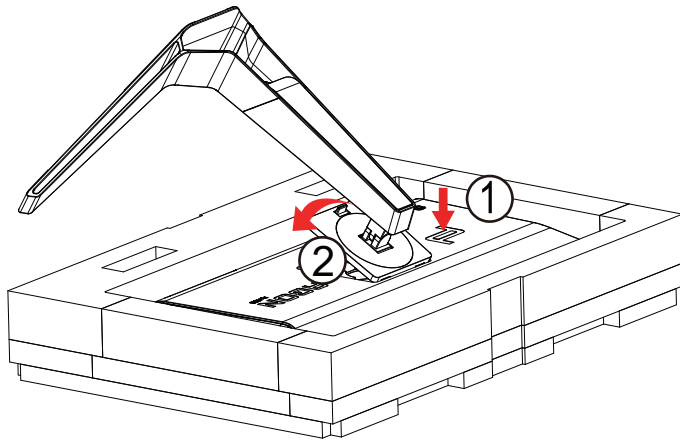
Manufacturers: DELTA ELECTRONICS,INC. Model: ADP-330CB B (19.5Vdc,16.9A)



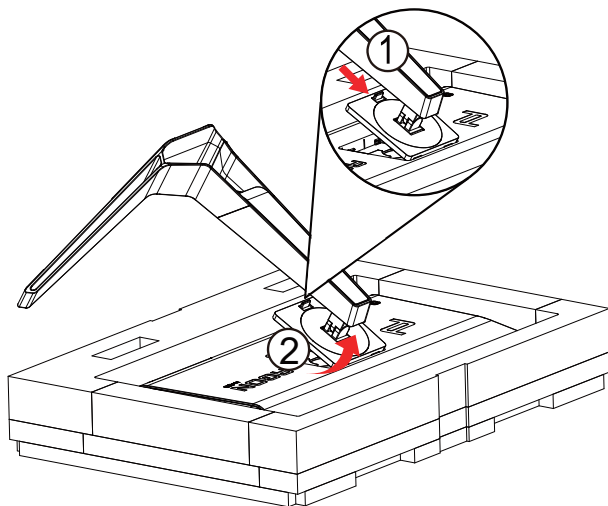
# Setup Stand & Base

Please setup or remove the base following the steps as below.

## Setup:

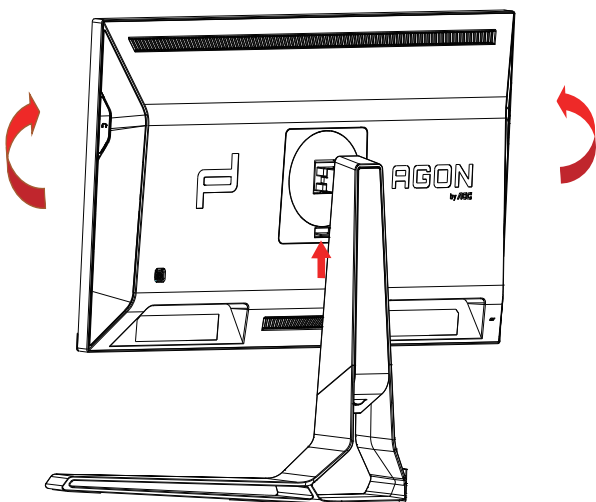


## Remove:



## Note:

When the Monitor is rotated vertically, the quick release button is no effect, the stand/ base cannot be removed.

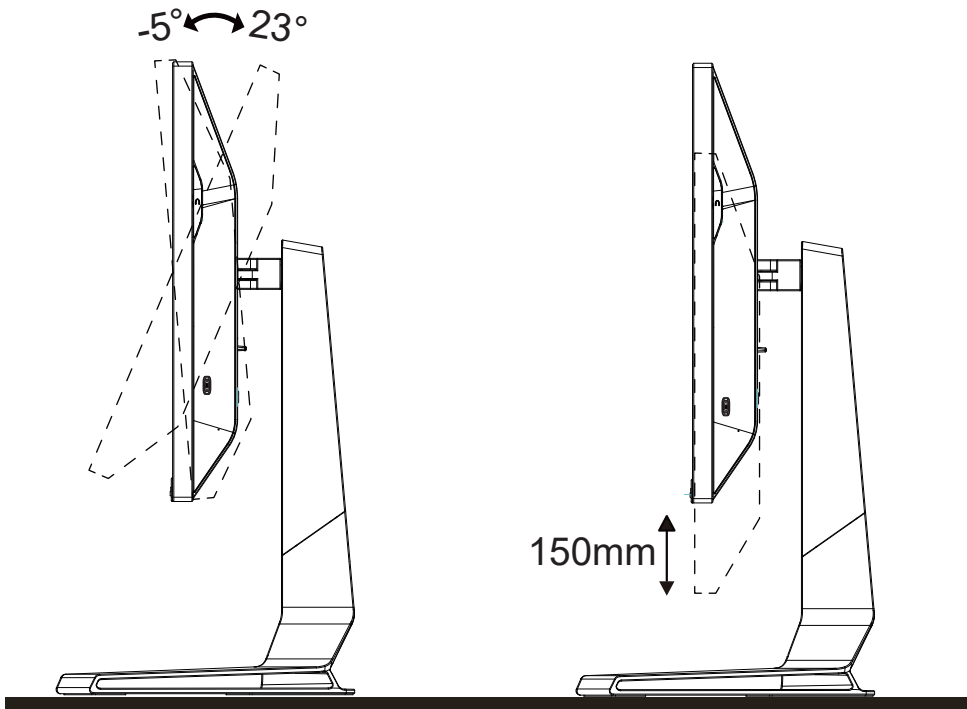


## Adjusting the monitor

For optimal viewing it is recommended to look at the full face of the monitor, then adjust the monitor's angle to your own preference.

Hold the stand so you will not topple the monitor when you change the monitor's angle.

You are able to adjust the monitor as below:



### NOTE:

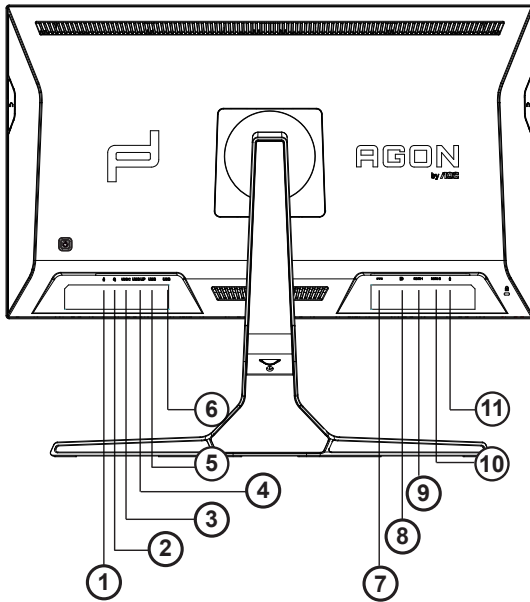
Do not touch the LCD screen when you change the angle. It may cause damage or break the LCD screen.

### Warning:

1. To avoid potential screen damage, such as panel peeling, ensure that the monitor does not tilt downward by more than -5 degrees.
2. Do not press the screen while adjusting the angle of the monitor. Grasp only the bezel.

# Connecting the Monitor

Cable Connections In Back of Monitor and Computer:



1. Microphone in
2. Earphone (Combined with Microphone)
3. USB C
4. USB UP
5. USB3.2 Gen1+fast charging
6. USB3.2 Gen1
7. DC IN
8. DP
9. HDMI1
10. HDMI2
11. Microphone out (Connect to PC)

Connect to PC

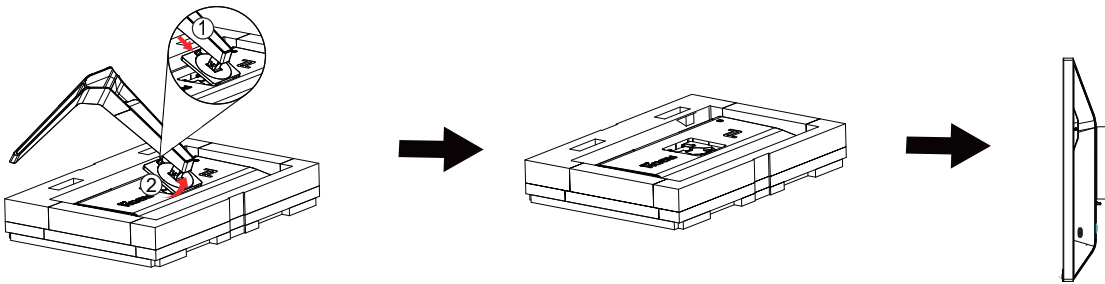
1. Connect the power cord to the back of the display firmly.
2. Turn off your computer and unplug its power cable.
3. Connect the display signal cable to the video connector on the back of your computer.
4. Plug the power cord of your computer and your display into a nearby outlet.
5. Turn on your computer and display.

If your monitor displays an image, installation is complete. If it does not display an image, please refer Troubleshooting.

To protect equipment, always turn off the PC and LCD monitor before connecting.

# Wall Mounting

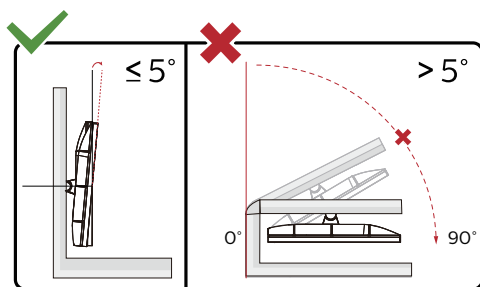
Preparing to Install An Optional Wall Mounting Arm.



This monitor can be attached to a wall mounting arm you purchase separately. Disconnect power before this procedure. Follow these steps:

1. Remove the base.
2. Follow the manufacturer's instructions to assemble the wall mounting arm.
3. Place the wall mounting arm onto the back of the monitor. Line up the holes of the arm with the holes in the back of the monitor.
4. Reconnect the cables. Refer to the user's manual that came with the optional wall mounting arm for instructions on attaching it to the wall.

Noted: VESA mounting screw holes are not available for all models, please check with the dealer or official department of AOC.



\* Display design may differ from those illustrated.

## Warning:

1. To avoid potential screen damage, such as panel peeling, ensure that the monitor does not tilt downward by more than -5 degrees.
2. Do not press the screen while adjusting the angle of the monitor. Grasp only the bezel.

# Adaptive-Sync function

1. Adaptive-Sync function is working with DP/HDMI/USB C.
2. Compatible Graphics Card: Recommend list is as the below, also could be checked by visiting [www.AMD.com](http://www.AMD.com)

## Graphics Cards

- Radeon™ RX Vega series
- Radeon™ RX 500 series
- Radeon™ RX 400 series
- Radeon™ R9/R7 300 series (excluding R9 370/X)
- Radeon™ Pro Duo (2016 edition)
- Radeon™ R9 Nano
- Radeon™ R9 Fury series
- Radeon™ R9/R7 200 series (excluding R9 270/X, R9 280/X)

## Processors

- AMD Ryzen™ 7 2700U
- AMD Ryzen™ 5 2500U
- AMD Ryzen™ 5 2400G
- AMD Ryzen™ 3 2300U
- AMD Ryzen™ 3 2200G
- AMD PRO A12-9800
- AMD PRO A12-9800E
- AMD PRO A10-9700
- AMD PRO A10-9700E
- AMD PRO A8-9600
- AMD PRO A6-9500
- AMD PRO A6-9500E
- AMD PRO A12-8870
- AMD PRO A12-8870E
- AMD PRO A10-8770
- AMD PRO A10-8770E
- AMD PRO A10-8750B
- AMD PRO A8-8650B
- AMD PRO A6-8570
- AMD PRO A6-8570E
- AMD PRO A4-8350B
- AMD A10-7890K
- AMD A10-7870K
- AMD A10-7850K
- AMD A10-7800
- AMD A10-7700K
- AMD A8-7670K
- AMD A8-7650K
- AMD A8-7600
- AMD A6-7400K

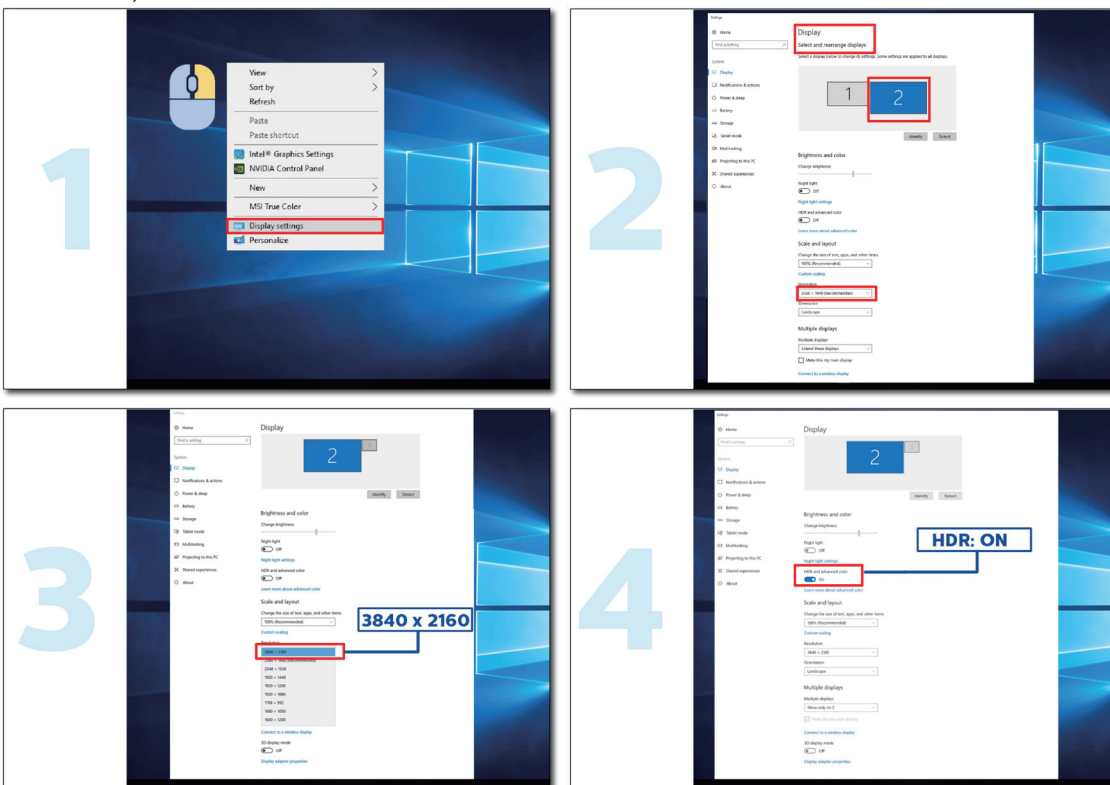
# HDR

It is compatible with input signals in HDR10 format.

The display may automatically activate the HDR function if the player and content are compatible. Please contact the device manufacturer and the content provider for information on the compatibility of your device and content. Please select "OFF" for the HDR function when you have no need for automatical activation function.

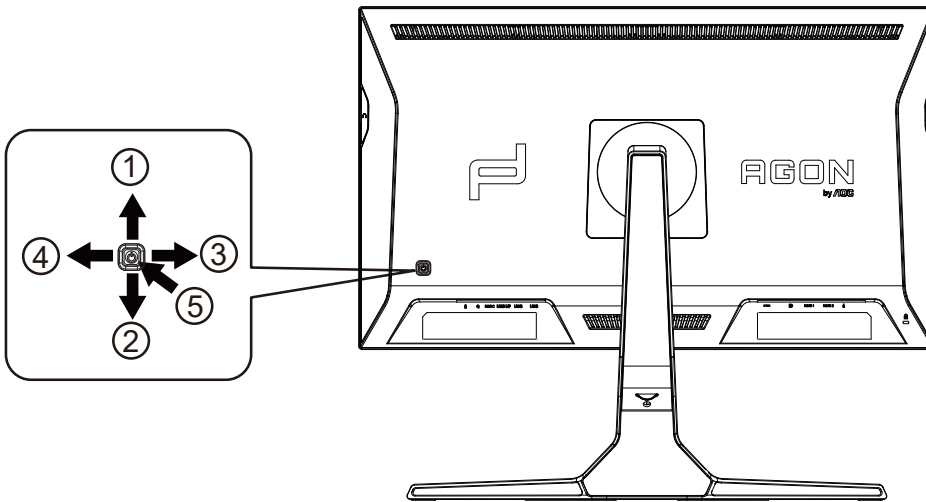
## Note:

1. No special setting is needed for the DisplayPort/HDMI interface in WIN10 versions lower (older) than V1703.
2. Only the HDMI interface is available and the DisplayPort interface cannot function in WIN10 version V1703.
3. 3840x2160 @50Hz /60Hz not suggestion used in PC device only for UHD player or Xbox / PS.
  - a. The display resolution is set to 3840\*2160, and HDR is preset to ON. Under these conditions, the screen may slightly dim, indicating HDR has been activated.
  - b. After entering an application, the best HDR effect can be achieved when the resolution is changed to 3840\*2160 (if available).



# Adjusting

## Hotkeys



1	Source/Up
2	Dial Point/Down
3	Game Mode/Left
4	Light FX /Right
5	Power/ Menu/Enter

### **Power/Menu/Enter**

Press the Power button to turn on the monitor.

When there is no OSD, Press to display the OSD or confirm the selection. Press about 2 seconds to turn off the monitor.

### **Dial Point/Down**

When there is no OSD, press Dial Point button to show / hide Dial Point.

### **Game Mode/Left**

When there is no OSD, press "Left" key to open game mode function, then press "Left" or "Right" key to select game mode (FPS, RTS, Racing, Gamer 1, Gamer 2 or Gamer 3) basing on the different game types.

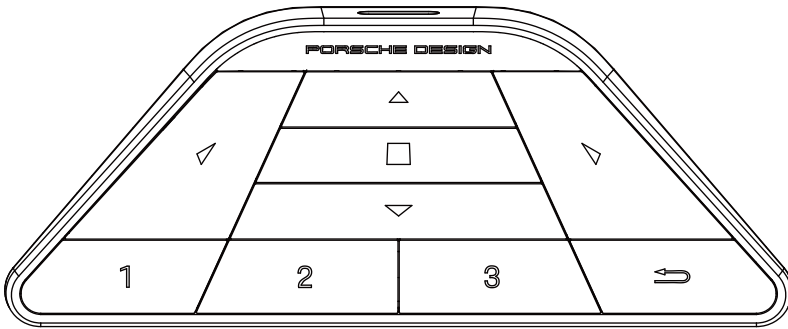
### **Light FX/Right**

When there is no OSD, press "Right" key to active Light FX function.

### **Source/Up**

When the OSD is closed, press Source/Up button will be Source hot key function.

# Quick Switch



When the OSD is not displayed, press ◀ to open the game mode to adjust the menu.



When the OSD is not displayed, press ▶ to open the gaming ambient light to adjust the menu.

**Menu/■:**

When the OSD is not displayed, press this button to display the OSD menu or confirm the option.  
When the display is in standby mode, press and hold this button to turn on/off the display power.



When the OSD is not displayed, press ▲ to activate the signal source switch function.



When the OSD is not displayed, press ▼ to turn on or off the gaming aim.

**1:**

Press the 1 button to select Gamer 1 mode

**2:**

Press the 2 button to select Gamer 2 mode

**3:**

Press the 3 button to select Gamer 3 mode

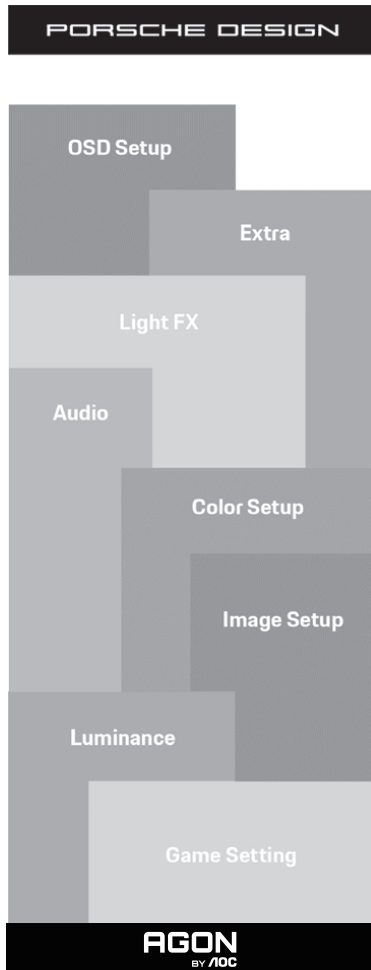


Press to exit OSD.



# OSD Setting

Basic and simple instruction on the control keys.



- 1). Press the MENU-button to activate the OSD window.
- 2). OSD Lock/Unlock Function: To lock or unlock the OSD, press and hold the Down-button for 10s while OSD function is not active.

## Notes:

- 1). If the product has only one signal input, the item of "Input Select" is disable to adjust.
- 2). ECO modes (except Standard mode), DCR and DCB mode , for these three states that only one state can exist.

## Game Setting

PORSCHE DESIGN

Game Setting	
Game Mode	Off
Shadow Control	50
Game Color	10
Adaptive-Sync	On
Overdrive	Off
Low Input lag	On
Frame Counter	Off
HDMI1	120Hz
HDMI2	120Hz

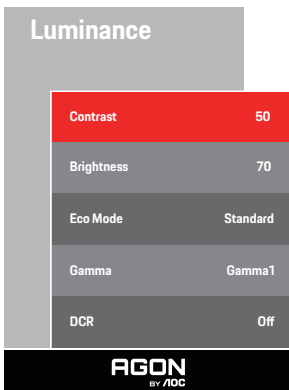
**AGON**  
by AOC

Game Mode	Off	No optimization by Smart image game
	FPS	For playing FPS (first Person Shooters) games. Improves dark theme black level details.
	RTS	For playing RTS (Real Time Strategy). Improves the image quality.
	Racing	For playing Racing games, Provides fastest response time and high color saturation.
	Gamer 1	User's preference settings saved as Gamer 1.
	Gamer 2	User's preference settings saved as Gamer 2.
	Gamer 3	User's preference settings saved as Gamer 3.
Shadow Control	0-100	Shadow Control Default is 50, then end-user can adjust from 50 to 100 or 0 to increase contrast for clear picture. 1. If picture is too dark to be saw the detail clearly, adjusting from 50 to 100 for clear picture. 2. If picture is too white to be saw the detail clearly, adjusting from 50 to 0 for clear picture
Game Color	0-20	Game Color will provide 0-20 level for adjusting saturation to get better picture.
Adaptive-Sync	On / Off	Disable or Enable Adaptive-Sync..
Overdrive	Off/Weak/Medium/Strong	Adjust the response time.
Low Input lag	On / Off	Turn off frame buffer to decrease input lag
Frame Counter	Off / Right-Up / Right-Down / Left-Down / Left-Up	Display V frequency on the corner selected (Frame counter feature only works with AMD graphic card.)
HDMI1	120Hz/144Hz	When using the PS2(3) ,XBOX or DVD player, please change the OSD setting to "120Hz"
HDMI2	120Hz/144Hz	When using the PS2(3) ,XBOX or DVD player, please change the OSD setting to "120Hz"

Note:

When HDR is set to "non-off" under "Image Setup" and the input source has HDR content, "Game Mode", "Shadow Control", "Game Color" items cannot be adjusted .

# Luminance

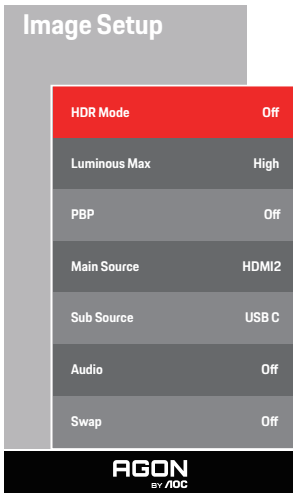


Contrast	0-100	Contrast from Digital-register.
Brightness	0-100	Backlight Adjustment
Eco Mode	Standard	Standard Mode
	Text	Text Mode
	Internet	Internet Mode
	Game	Game Mode
	Movie	Movie Mode
	Sports	Sports Mode
	Reading	Reading Mode
Gamma	Gamma1	Adjust to Gamma 1
	Gamma2	Adjust to Gamma 2
	Gamma3	Adjust to Gamma 3
DCR	Off/On	Disable/ Enable dynamic contrast ratio

**Note:**

When the HDR Mode under “Image Setup” is set to “non-off”, “Contrast”、 “Brightness” and “Gamma” is not adjustable.  
 When the HDR under “Image Setup” is set to “non-off” , all items under “Luminance ”is not adjustable.

# Image Setup



HDR	Off / DisplayHDR / HDR Picture / HDR Movie / HDR Game	Disable or Enable HDR
HDR Mode	Off / HDR Picture / HDR Movie / HDR Game	Disable or Enable HDR Mode
Luminous Max	High / Medium / Low	Adjust Luminous Max
PBP		Disable or Enable PBP
Main Source		Select main screen source.
Sub Source		Select sub screen source.
Audio	On: Sub Audio Off: Main Audio	Swap Audio source.
Swap	On:Swap Off:non action	Swap the screen source.

**Note:**

- 1) When HDR is detected, the HDR option is displayed for adjustment; when HDR is not detected, the HDR Mode option is displayed for adjustment.
- 2) When the Local Dimming function is activated, due to the light diffusion effect. The edges of windows or the edges of moving objects there will be a slight halo phenomenon. This is the physical characteristics of the Mini LED panel is not a panel failure phenomenon, please rest assured to continue using.
- 3) When the HDR is set to “non-off”, In addition to “HDR”, “Luminous Max” under “image setup” , other items are not adjustable.

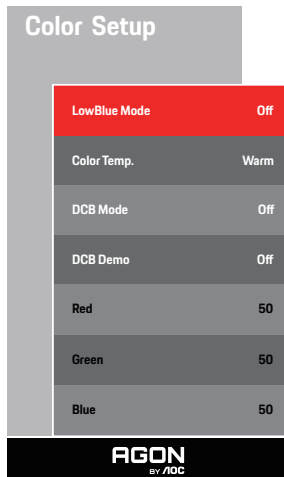
4) When PBP is On, the Main source / Sub-source input source compatibility is as follow:

PBP		Main source			
		HDMI1	HDMI2	DP	USB-C
Sub source	HDMI1	V	V	V	V
	HDMI2	V	V	V	V
	DP	V	V	V	V
	USB-C	V	V	V	V

Note: When PBP is On, the DP / HDMI / USB C signal source supports maximum resolution 3840x2160@60Hz.

## Color Setup

PORSCHE DESIGN



LowBlue Mode	Off / Multimedia / Internet / Office / Reading	Decrease blue light wave by controlling color temperature.
Color Temp.	Warm	Recall Warm Color Temperature from EEPROM.
	Normal	Recall Normal Color Temperature from EEPROM.
	Cool	Recall Cool Color Temperature from EEPROM.
	sRGB	Recall SRGB Color Temperature from EEPROM.
	User	Red Gain from Digital-register Green Gain Digital-register. Blue Gain from Digital-register
DCB Mode	Off	Disable DCB Mode.
	Full Enhance	Enable Full Enhance Mode.
	Nature Skin	Enable Nature Skin Mode.
	Green Field	Enable Green Field Mode.
	Sky-blue	Enable Sky-blue Mode.
	Auto Detect	Enable AutoDetect Mode.
DCB Demo	On or Off	Disable or Enable Demo.
Red	0-100	Red gain from Digital-register.
Green	0-100	Green gain from Digital-register.
Blue	0-100	Blue gain from Digital-register.

### Note:

When the HDR/HDR Mode setting under “Image Setup” is set to “non-off” and the input source has HDR content, “Color Setup” is not adjustable.

# Audio



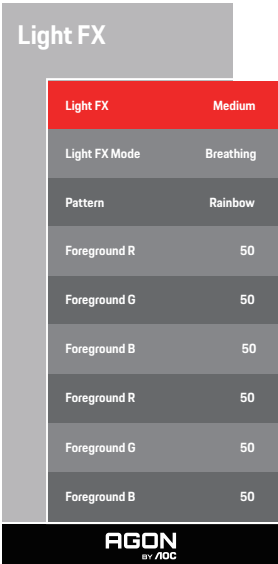
### Audio

Volume	50
DTS Sound	Game
TruVolume HD	Off
Boot Sound	On
200Hz	35
500Hz	50
2.5KHz	55
7KHz	45
10KHz	50

AGON  
by /OC

Volume	0-100	Adjust volume setting
DTS Sound	Game / Rock / Classical / Live / Theater / Off	Select DTS Sound mode. <b>Note:</b> It may take up to 2 seconds to switch modes.
TruVolume HD	On / Off	Disable or Enable TruVolume HD.
Boot Sound	On / Off	Disable or Enable Boot Sound.
200Hz	0-100	Low frequency base audio, also the root audio frequency of the chord in the tone.
500Hz	0-100	Mainly used to express vocals (eg. singing, reading), Strengthen the thickness and strength of vocals.
2.5KHz	0-100	This frequency has a strong penetrating power and can be improved to improve the brightness and clarity of the sound.
7KHz	0-100	Enhance the clarity of vocals.
10KHz	0-100	The high-pitched area of music is most sensitive to the high-frequency performance of the sound.

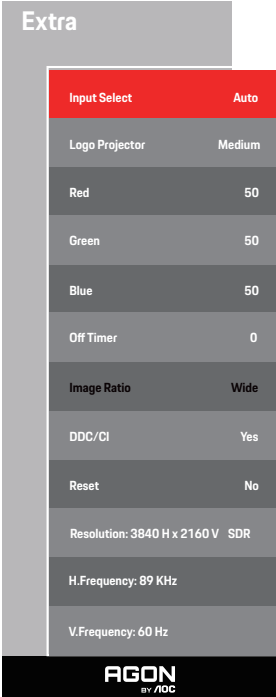
# Light FX



Light FX	Off / Low / Medium / Strong	Select the intensity of Light FX.
Light FX Mode	Audio/Static/Simple Shift/Gradient Shift/Simple Filling/1 Way Filling/2 Way Filling/Breathing/Motion Point/Zoom/Discolor/Water Wave/Flashing/Demo	Select Light FX Mode
Pattern	Red / Green / Blue / Rainbow / User Define	Select Light FX Pattern
ForegroundR	0-100	User can adjust Light FX foreground color, when Pattern setting to user define
ForegroundG		
ForegroundB		
BackgroundR	0-100	User can adjust Light FX background color, when Pattern setting to user define
BackgroundG		
BackgroundB		

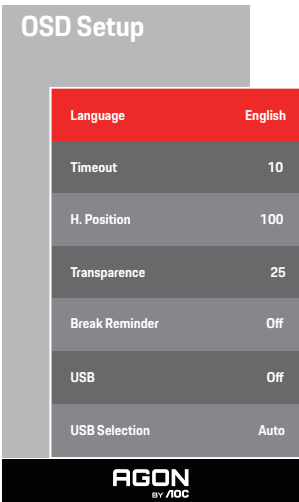


# Extra



Input Select	AUTO/HDMI1/HDMI2/DP/USB C	Select Input Signal Source
Logo Projector	Off/Low/Medium/Strong	It's projection logo function.
Red	0 ~ 100	Red gain from Digital-register.
Green	0 ~ 100	Green gain from Digital-register.
Blue	0 ~ 100	Blue gain from Digital-register.
Off timer	0-24hrs	Select DC off time
Image Ratio	Wide / 4:3 / 1:1 / 17"(4:3) / 19"(4:3) / 19"(5:4) / 19"W(16:10) / 21.5"W(16:9) / 22"W(16:10) / 23"W(16:9) / 23.6"W(16:9) / 24"W(16:9) / 27"W(16:9)	Select image ratio for display.
DDC/CI	Yes or No	Turn ON/OFF DDC/CI Support
Reset	ENERGY STAR® or No	Reset the menu to default (ENERGY STAR® available for selective models)

# OSD Setup



Language		Select the OSD language
Timeout	5-120	Adjust the OSD Timeout
H. Position	0-100	Adjust the horizontal position of OSD
Transparence	0-100	Adjust the transparence of OSD
Break Reminder	On /Off	Break reminder if the user continuously work for more than 1hrs
USB	Off / 2.0 / 3.2Gen1	For model need to turn on/off USB power during power saving. The default USB setting is Off. If you want to connect USB-C device, please adjust the USB setting to 2.0 or 3.2Gen1.
USB Selection	Auto / USB C / USB up	Auto : switch with display input source USB C / USB up : fix up stream not change with input source

## LED Indicator

Status	LED Color
Full Power Mode	White
Active-off Mode	White(Breathing)

# Troubleshoot

Problem & Question	Possible Solutions
<b>Power LED Is Not ON</b>	Make sure the power button is ON and the Power Cord is properly connected to a grounded power outlet and to the monitor.
<b>No images on the screen</b>	<ul style="list-style-type: none"> <li>• Is the power cord connected properly? Check the power cord connection and power supply.</li> <li>• Is the cable connected correctly? (Connected using the D-SUB cable) Check the D-SUB cable connection. (Connected using the HDMI cable) Check the HDMI cable connection. (Connected using the DP cable) Check the DP cable connection. *D-SUB/HDMI/DP input is not available on every model.</li> <li>• If the power is on, reboot the computer to see the initial screen (the login screen), which can be seen. If the initial screen (the login screen) appears, boot the computer in the applicable mode (the safe mode for Windows 7/8/10) and then change the frequency of the video card. (Refer to the Setting the Optimal Resolution) If the initial screen (the login screen) does not appear, contact the Service Center or your dealer.</li> <li>• Can you see "Input Not Supported" on the screen? You can see this message when the signal from the video card exceeds the maximum resolution and frequency that the monitor can handle properly. Adjust the maximum resolution and frequency that the monitor can handle properly.</li> <li>• Make sure the AOC Monitor Drivers are installed.</li> </ul>
<b>Picture Is Fuzzy &amp; Has Ghosting Shadowing Problem</b>	Adjust the Contrast and Brightness Controls. Press to auto adjust. Make sure you are not using an extension cable or switch box. We recommend plugging the monitor directly to the video card output connector on the back.
<b>Picture Bounces, Flickers Or Wave Pattern Appears In The Picture</b>	Move electrical devices that may cause electrical interference as far away from the monitor as possible. Use the maximum refresh rate your monitor is capable of at the resolution you are using.
<b>Monitor Is Stuck In Active Off-Mode"</b>	The Computer Power Switch should be in the ON position. The Computer Video Card should be snugly fitted in its slot. Make sure the monitor's video cable is properly connected to the computer. Inspect the monitor's video cable and make sure no pin is bent. Make sure your computer is operational by hitting the CAPS LOCK key on the keyboard while observing the CAPS LOCK LED. The LED should either turn ON or OFF after hitting the CAPS LOCK key.
<b>Missing one of the primary colors (RED, GREEN, or BLUE)</b>	Inspect the monitor's video cable and make sure that no pin is damaged. Make sure the monitor's video cable is properly connected to the computer.
<b>Screen image is not centered or sized properly</b>	Adjust H-Position and V-Position or press hot-key (AUTO).
<b>Picture has color defects (white does not look white)</b>	Adjust RGB color or select desired color temperature.
<b>Horizontal or vertical disturbances on the screen</b>	Use Windows 7/8/10 shut-down mode to adjust CLOCK and FOCUS. Press to auto-adjust.
<b>Regulation &amp; Service</b>	Please refer to Regulation & Service Information which is in the CD manual or <a href="http://www.aoc.com">www.aoc.com</a> (to find the model you purchase in your country and to find Regulation & Service Information in Support page.

# Specification

## General Specification

Panel	Model name	PD32M	
	Driving system	TFT Color LCD	
	Viewable Image Size	80.0 cm diagonal	
	Pixel pitch	0.181mm(H) x 0.181mm(V)	
	Display Color	1.07B <sup>[1]</sup>	
Others	Horizontal scan range	30~330kHz	
	Horizontal scan Size(Maximum)	697.3056 mm	
	Vertical scan range	23-120Hz(USB C)	
		48-144Hz(HDMI/DP)	
	Vertical Scan Size(Maximum)	392.2344 mm	
	Optimal preset resolution	3840x2160@60Hz	
	Max resolution	3840x2160@120Hz(USB C)	
		3840x2160@144Hz(HDMI/DP)	
	Plug & Play	VESA DDC2B/CI	
	Power Source	19.5Vdc, 16.9A	
Power Consumption	Typical (default brightness and contrast)	80 W	
	Max. (Brightness = 100, contrast =100)	≤ 330 W	
	Standby mode	≤ 0.5 W	
Physical Characteristics	USB C Power Delivery	USB PD version 3.0 up to 90W <sup>[2]</sup> (5V/3A, 9V/3A, 10V/3A, 12V/3A, 15V/3A, 20V/4.5A)	
	Connector Type	HDMIx2、DP、USB C、USBx4、USB UP、Earphone、 Microphone In&Out	
	Signal Cable Type	Detachable	
Environmental	Temperature	Operating	0°~ 35°
		Non-Operating	-25°~ 55°
	Humidity	Operating	10% ~ 85% (non-condensing)
		Non-Operating	5% ~ 93% (non-condensing)
	Altitude	Operating	0~ 5000 m (0~ 16404ft )
		Non-Operating	0~ 12192m (0~ 40000ft )



[1] Color Bit table:

Color Bit	Signal Version		Color Format		State	HDMI2.1		DP1.4		USB C @USB 3.2Gen1	USB C @USB 2.0	USB C @USB 3.2Gen1	USB C @USB 2.0
	YCbCr422	YCbCr444	YCbCr422	YCbCr444		YCbCr422		YCbCr444					
	YCbCr420	RGB	YCbCr420	RGB		YCbCr420	RGB	YCbCr420	RGB				
UHD 144Hz 10 bpc	V	V	V	V	\	\	\	\	\	\	\	\	\
UHD 144Hz 8 bpc	V	V	V	V	\	\	\	\	\	\	\	\	\
UHD 120Hz 10 bpc	V	V	V	V	\	V	\	\	\	\	\	\	\
UHD 120Hz 8 bpc	V	V	V	V	\	V	\	\	\	\	\	\	V
UHD 100Hz 10 bpc	V	V	V	V	\	V	\	\	\	\	\	\	V
UHD 100Hz 8 bpc	V	V	V	V	\	V	\	\	\	\	\	\	V
Low Resolution 8 bpc/10 bpc	V	V	V	V	V	V	V	V	V	V	V	V	V

Note: Under the "OSD Settings" , set USB to "3.2Gen1" or "2.0" .

[2] Dynamic Power function:

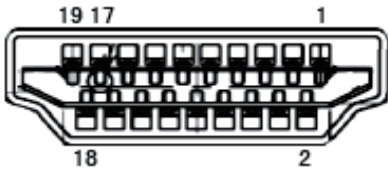
HDR/SDR	OSD Selection	HDR(Brightness)	USB Hub	PD
HDR	High	1400.00	Normal	No
	Middle	1000.00	≤10W	65W
	Middle	1000.00	>10W	45W
	Low	> 480 nits	Normal	90W
SDR	-	-	Normal	90W

Note: Under the "Image Setup" , set Luminous MaxUSB to "High" ,"Medium"or "Low".

## Preset Display Modes

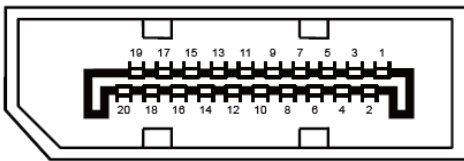
STANDARD	RESOLUTION	HORIZONTAL FREQUENCY(kHz)	VERTICAL FREQUENCY(Hz)
VGA	640x480@60Hz	31.469	59.94
VGA	640x480@67Hz	35	66.667
VGA	640x480@72Hz	37.861	72.809
VGA	640x480@75Hz	37.5	75
VGA	640x480@100Hz	51.08	99.769
VGA	640x480@120Hz	61.91	119.518
DOS MODE	720x400@70Hz	31.469	70.087
DOS MODE	720x480@60Hz	29.855	59.710
SD	720x576@50Hz	31.25	50
SVGA	800x600@56Hz	35.156	56.25
SVGA	800x600@60Hz	37.879	60.317
SVGA	800x600@72Hz	48.077	72.188
SVGA	800x600@75Hz	46.875	75
SVGA	800x600@100Hz	63.684	99.662
SVGA	800x600@120Hz	76.302	119.97
SVGA	832x624@75Hz	49.725	74.551
XGA	1024x768@60Hz	48.363	60.004
XGA	1024x768@70Hz	56.476	70.069
XGA	1024x768@75Hz	60.023	75.029
XGA	1024x768@100Hz	81.577	99.972
XGA	1024x768@120Hz	97.551	119.989
SXGA	1280x1024@60Hz	63.981	60.02
SXGA	1280x1024@75Hz	79.975	75.025
Full HD	1920x1080@60Hz	67.5	60
UHD	3840x2160@60Hz	135	60
UHD	3840x2160@120Hz	266.653	120
UHD	3840x2160@144Hz	319.944	143.989

# Pin Assignments



19-Pin Color Display Signal Cable

Pin No.	Signal Name	Pin No.	Signal Name	Pin No.	Signal Name
1.	TMDS Data 2+	9.	TMDS Data 0-	17.	DDC/CEC Ground
2.	TMDS Data 2 Shield	10.	TMDS Clock +	18.	+5V Power
3.	TMDS Data 2-	11.	TMDS Clock Shield	19.	Hot Plug Detect
4.	TMDS Data 1+	12.	TMDS Clock-		
5.	TMDS Data 1Shield	13.	CEC		
6.	TMDS Data 1-	14.	Reserved (N.C. on device)		
7.	TMDS Data 0+	15.	SCL		
8.	TMDS Data 0 Shield	16.	SDA		



20-Pin Color Display Signal Cable

Pin No.	Signal Name	Pin No.	Signal Name
1	ML_Lane 3 (n)	11	GND
2	GND	12	ML_Lane 0 (p)
3	ML_Lane 3 (p)	13	CONFIG1
4	ML_Lane 2 (n)	14	CONFIG2
5	GND	15	AUX_CH(p)
6	ML_Lane 2 (p)	16	GND
7	ML_Lane 1 (n)	17	AUX_CH(n)
8	GND	18	Hot Plug Detect
9	ML_Lane 1 (p)	19	Return DP_PWR
10	ML_Lane 0 (n)	20	DP_PWR



## Plug and Play

### Plug & Play DDC2B Feature

This monitor is equipped with VESA DDC2B capabilities according to the VESA DDC STANDARD. It allows the monitor to inform the host system of its identity and, depending on the level of DDC used, communicate additional information about its display capabilities.

The DDC2B is a bi-directional data channel based on the I2C protocol. The host can request EDID information over the DDC2B channel.



For DTS patents, see <http://patents.dts.com>. Manufactured under license from DTS Licensing Limited. DTS, the Symbol, & DTS and the Symbol together are registered trademarks, and DTS Sound is a trademark of DTS, Inc. © DTS, Inc. All Rights Reserved.

