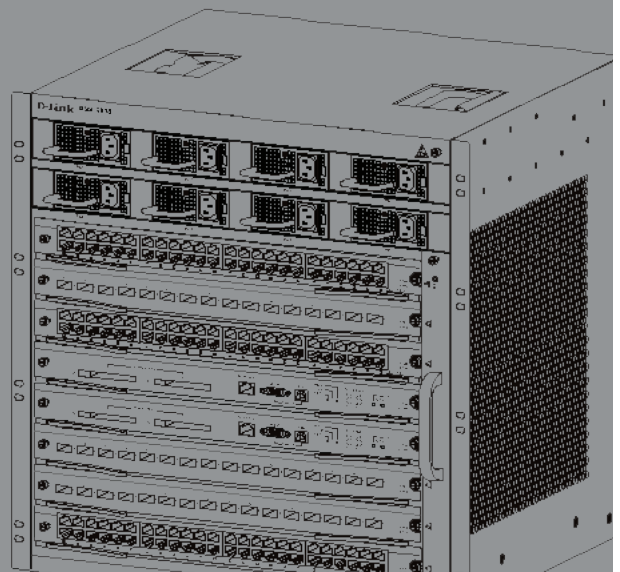




## Quick Installation Guide 4/8 Slots Chassis-Based Switch

This document will guide you through the basic installation process for your new D-Link chassis-based Switch.

### DGS-6600 Series



## About This Guide

This guide contains step by step instructions for setting up the D-Link DGS-6600 series chassis-based switch. Please note that the model you have purchased may appear slightly different from those shown in the illustrations.

Please read this manual carefully before using the product, paying special attention to safety warnings so as to avoid injury or damage to equipment.

This manual is intended for users who have experience in installing and maintaining network hardware, and assumes that users are familiar with standard networking terms and concepts.

## Product Overview

D-Link's DGS-6600 series chassis-based switch is an intelligent and high-performance multi-layer LAN device designed for enterprise campus and metropolitan area networks (MAN). It is ideal for deployment in environments where uninterrupted network applications and a high level of performance, security and control are required.

Featuring flexible modular architecture and industry standard compliance, the switch provides scalable expansion and a high level of investment protection for businesses and telecom carriers to deploy Gigabit and 10-Gigabit packet switching and routing for office networking and Ethernet-based Internet services to homes.

DGS-6604 provides totally four slots including one slot for CM module. DGS-6608 provides totally eight slots including two slots for CM redundancy.

## Warnings



### Power Supply Safety Warning

Ground the device before powering on to guard against power surges.

Be sure that all cables are grounded correctly.



### Static Electricity Protection Warning

Always wear an anti-static wrist strap when contacting the chassis to prevent static damage.



### Laser Safety Warning

CLASS 1 LASER PRODUCT

Directly looking at the optical interface or optical fibers may cause eye damage.



### Fan Safety Warning

The fan mechanism is dangerous. Avoid touching the area near the fan.



### Transportation Safety Warning

The device and components may comprise more than 27 kg in total for DGS-6604 and up to 40 kg in total for DGS-6608.

Use care when inserting or removing heaving components.



### Maintenance Warning

Maintenance should only be carried out by qualified service technicians

## Preparation for Installation

To ensure normal operation and prolonged life of the DGS-6600 series chassis switch, the appropriate temperature and humidity must be maintained in the equipment room.

If the equipment room's temperature and humidity do not meet the requirements, the equipment may sustain damage.

Operating Temperature	Operating Humidity
0°C-50°C	10%-90% RH non-condensed

Table 1. Temperature and Humidity Requirements



### Notes:

1. The ambient temperature and humidity should be measured at the point that is 1.5m above the floor and 0.4m in front of the equipment when there is no protective plate in front or back of the equipment rack



2. The short-term working conditions apply where the continuous working period does not exceed 48 hours and the cumulative total period within a year does not exceed 15 days

## Static Discharge Damage Prevention

To prevent damage from static electricity, please conform to the following guidelines:

1. Be sure to install an adequate ground for all electronic equipment.
2. Use appropriate dust prevention measures.
3. Maintain the required humidity in the operating environment
4. Always wear an anti-static wrist strap when working around any electronic circuitry.
5. Hold a circuit board by its edges. Do not touch any components on the PCB.
6. Do not allow clothing to touch a circuit board. An antistatic wrist strap can only prevent static electricity from the human body, but cannot mitigate static electricity from clothing.

## Moving the Device

The DGS-6600 series chassis switch is quite heavy. When handling, please pay close attention to the following guidelines:

- Avoid moving the equipment frequently.
- If you find the chassis weight unbearable, do not attempt to lift the equipment alone.
- Lift and move the chassis using the handles on the top panel.
- Turn off all power supplies and unplug all power cables before moving the equipment.
- Completely loosen the thumb/Phillips screws and pull the card levers to remove each and all line cards, fan tray, and power modules from the chassis before moving it.

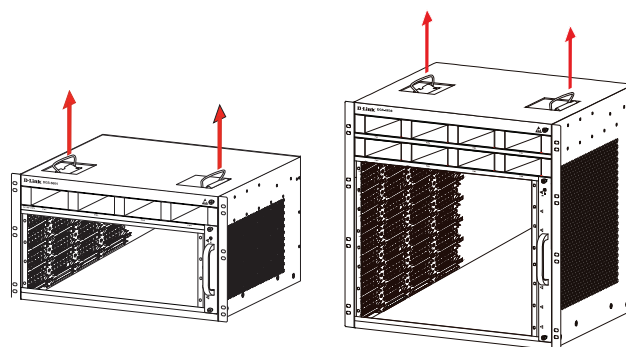


Figure 1. Correctly Moving the DGS-6600 series chassis switch



Do not move the equipment by grasping the panels, power supply handles, or ventilation holes, as they are not designed to bear weight.

## System Grounding Requirements:

Proper grounding will help to ensure stable and reliable operation of the DGS-6600 series chassis switch. Be sure to verify that the grounding conditions at the installation meet the grounding requirements and ground all devices appropriately

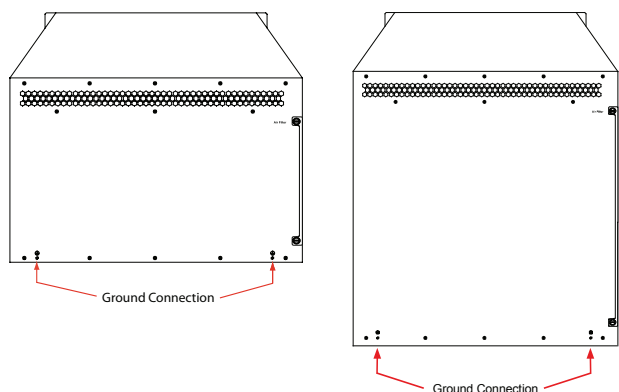


Figure 2. Grounding of the DGS-6600 series



**Note:**

All grounding conductors should be connected before the AC power is applied to the DGS-6600 series chassis switch installed AC power supplies.

The DGS-6600 series chassis switch with AC power supplies must be grounded with a minimum of 0.823 mm<sup>2</sup> (or 18AWG) of conductive grounding cable. This cable is connected between the Equipment Room Ground and the DGS-6600 series Chassis Ground Terminal.

## Power Requirements

The power consumption and heat dissipation figures of the various DGS-6600 series chassis switch components are listed in the table below:

DGS-6600 Series Module	Maximum Power Consumption (W)	Heat Dissipation (BTU/Hour)
DGS-6600-CM	53.86	183.6
DGS-600-CM-II	54.86	187.2
DGS-6600-48T	109.8	374.4
DGS-6600-48S	118.59	404.6
DGS-6600-48TS	114.2	389.5
DGS-6600-48P	873	2979
DGS-6600-24SC2XS	105.5	379.8
DGS-6600-8XG	200.26	683.3
DGS-6600-16XS-D	179.84	613.25
DGS-6600-FAN Fan Tray	42.3	144
DGS-6600-FAN-II Fan Tray	84.6	288
DGS-6600-PWR AC Power Supply	853.5 (@110VAC or 220 VAC)	2912.4 (@110VAC or 220 VAC)

Table 2. Card Power Requirements



**Note:**

The DGS-6604 provides either 1+1, 2+1, or 3+1 redundant AC power supplies.

Maximum eight AC power supplies on DGS-6608 providing M+N redundant, where M ranges between 1 and 5 for active and N ranges between 1 and 3 for standby.

D-Link recommends to use multiple power supplies for the equipment to ensure continuous and stable operation. Redundant power supplies help to prevent unexpected power failures. Redundant power supplies must be identical.



## Installation Tools Requirements

Type	Tools	Remarks
Common Tools	Claw hammer, pliers	Unpack wooden case and transportation case.
	Phillips-head screwdriver, straight screwdriver, spanner	Disassemble chassis, power supply, fan and modules
	Power supply cables, network cables, optical fibers and distribution cables	Connect the interfaces.
	Ruler, long tapeline, marker pen	Measure the installation position.
	Bolts, diagonal pliers, straps	Mount the chassis.
Special purpose tools	Anti-static tool	Prevent static electricity.
	Wire stripper, crimping pliers	Create network cables and grounding cables.
Meter	Multimeter	Test power supply and DC resistance.
	500V Megohm-meter	Test the insulation and grounding resistance

Table 3. Required Tools

## Installation Site Requirements

The DGS-6600 series chassis switch must be used indoors. To ensure the normal operation and prolonged useful life of the equipment, the installation site must meet the following requirements.

### Requirements for Rack Mounting

If you plan to mount the DGS-6604/8 in a frame, please observe the following guidelines:

- Install the switch in an open cabinet if possible. If you install the switch inside a closed cabinet please ensure that the cabinet has a good ventilation and heat dissipation system.
- Ensure that the cabinet is durable enough to bear the weight of the DGS-6604/8 and its installation accessories.
- Ensure that the dimensions of the cabinet provide enough space for the installation of the front, rear, left and right panels of the DGS-6604/8 for the purpose of heat dissipation.
- The frame should be properly grounded.

### Ventilation Requirements

Following figure shows the ventilation requirements of the DGS-6604/8. You must reserve sufficient space near the vents to ensure proper ventilation. After the cables have been connected, they should be arranged into bundles or placed on the cabling rack to prevent the obstruction of air intakes and vents.

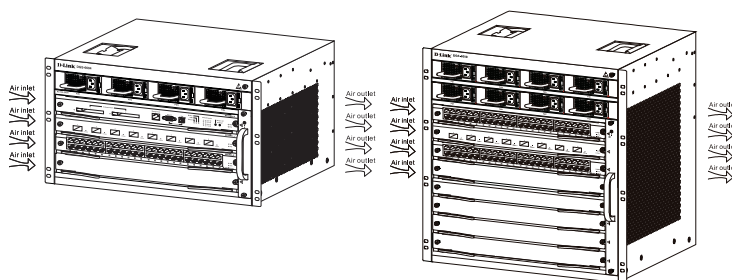


Figure 3. Ventilation of the DGS-6600 series chassis switch

### Mounting the DGS-6600 series chassis switch into the Cabinet

1. Lift the chassis (seek assistance if the chassis is more then you can lift safely) while keeping it level Slowly move it to the front of the frame.
2. Keeping the DGS-6604/8 level, lift it to a position slightly higher than the tray of the slide rail of the cabinet. Set the chassis onto the tray or the slide rail, and push it into the cabinet. The use of a tray or slide rail to assist in installing the chassis to the rack is recommended.
3. Fasten the DGS-6604/8 to the cabinet with screws. Fastening notches are on both the left and right sides of the front panel on the equipment frame. Use screws to fasten them to the bracket of the cabinet/ Once fastened, the equipment should be stable and immobile.

## Installing the Fan Tray

The DGS-6600-FAN fan tray is used as the DGS-6600 series's ventilation system. The DGS-6600-FAN-II fan tray is used as the DGS-6608's ventilation system. Carry out the following to install the fan tray:

1. Use the thumb-screws to remove the fan tray blank panel.
2. Insert the fan tray into the guide rail of the fan tray slot.
3. Secure the fan tray by tightening the fan tray's captive-screws.

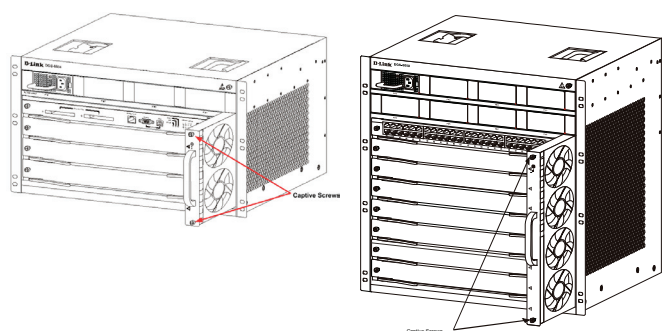


Figure 4. Installing the Fan Tray

## Installing the Power Supply(s)

The DGS-6600 series switch is powered up using an AC power supply. The procedure for installing the AC power supply is shown in the diagram below:

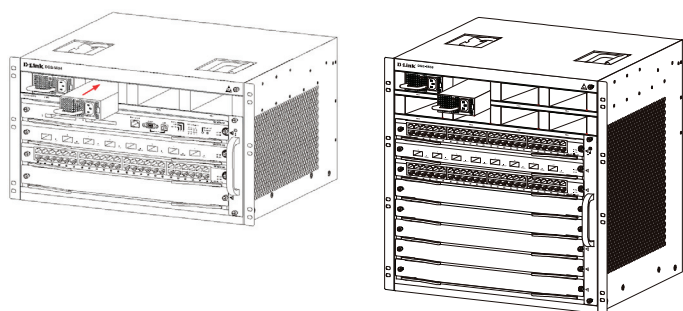


Figure 5. Installing the Power Supply

## Connecting the System Ground

A working ground GND is installed on the back of DGS-664/8. GND should be directly connected to the ground bar of the equipment room. If a digital grounding bar and an analog grounding bar exist in the equipment room, the GND should be connected to the digital bar.

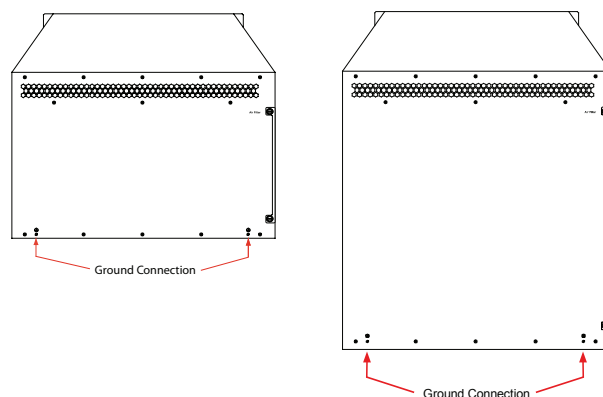


Figure 6. Ground Connections on the back of the DGS-6600 series chassis switch

## Precautions.

The sectional area of the grounding cable (min. of 18AWG) should be selected to safely conduct the maximum possible current. Use insulated cables of good conductivity.

- Do not use bare wire.
- The grounding resistance for combined grounding should be less than 1 Ohm ( $\Omega$ ).

## Simple Grounding Steps

- Unfasten the nut on the rear grounding post of the equipment.
- Affix the terminal of the grounding cable to the grounding pole.
- Fasten the nut back on the grounding post.
- Connect the other end of the grounding cable to a suitable grounding bar.

## Installing the Air Filter of the DGS-6600 Series Chassis Switch

On the back of the chassis on the edge of the right-side is a vertical slot where the air filter can be fitted. Slide in a cleaned or new air filter into the slot as per the following diagram. Then screw the two thumb/Phillips screws (see the diagram arrows) to secure the air filter into the chassis. With the air filter installed screw-in two screws on the side of the chassis as indicated by the red arrows in the diagram.

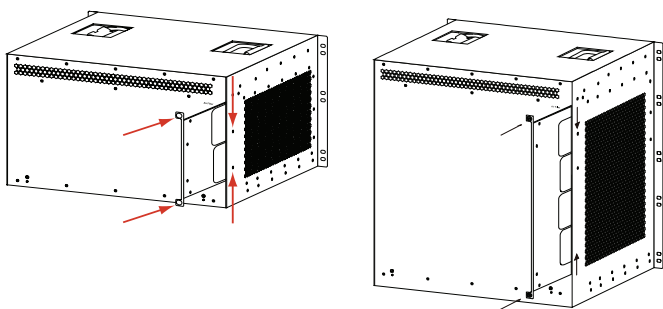


Figure 7. Installing the Air Filter



Air filter installation is recommended as the last step of the chassis installation.

## Connecting the AC Power Supply to the Power Module

Use the related AC power cable to connect to the AC power module panel, as indicated in the following diagram:

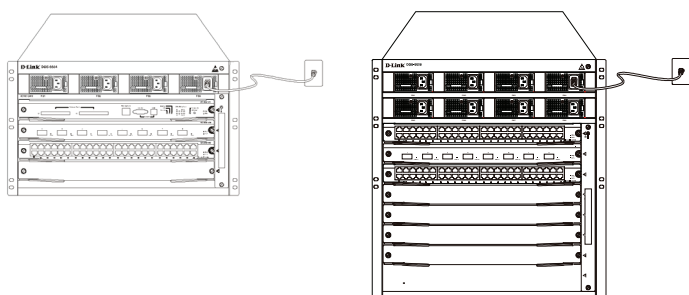


Figure 8. Connecting AC to the Power Module

## AC Power Supply Connection Precaution

- Verify that the provided external power supply matches the power module installed in the Switch before connecting the power supply.
- Use a power cable with a standard 3-pin connector to make the power connection.
- Ensure that the connected power cables have good contacts.
- Once the power cable is plugged-in at both power outlet and the power supply, the power supply will immediately start.

## Simple AC Power Connection Steps

1. Insert the power cable's plug into the power module.
2. Secure the power cable to the cable clip on the right.
3. Connect the other end of the power cable into the corresponding socket or connector.

## Connecting the Serial Cable of the Management Module

### Simple CPU Module Cable Connection

1. Connect the RJ45 connector of an Ethernet cable to the Ethernet port of the Switch's management module (DGS-6600-CM or DGS-6600-CM-II) and connect the other end of the cable to any TCP/IP capable device that is able to execute Telnet or SSH.

- or -

2. Connect the standard DB9 end of the serial cable to the RS-232 serial port of the Switch's management module and the other end to the PC/Notebook or control terminal.

- or -

3. Connect a USB cable with a USB Standard B Connector to the Standard B receptacle on the Switch's management module. Connect the other end to a computer equipped with a USB port capable of supporting a serial interface using the PL-2303 USB Serial Driver SW from Prolific Technology Inc.

## Removing Boards from the DGS-6600 Series Chassis Switch

Carry out the following steps to remove boards from the DGS-6600 Series Chassis Switch:

1. Unplug all copper/fiber cabling, i.e. RJ45 twisted-pair and fiber optic cables, from the board to be removed.
2. Loosen and unscrew the panel's two captive screws.
3. Use both hands to pull the levers, on the left and right hand sides of the board, to remove the board from the DGS-6600 Series Chassis Switch, as shown in the following diagram.



### Caution

Before removing/adding a board, always wear an anti-static wrist strap.

Take care not to hold the edge of the PCB or collide the components of the PCB.

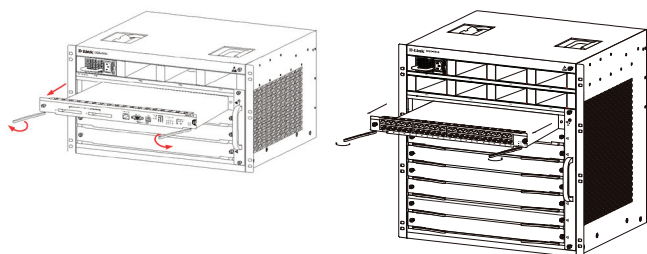


Figure 9. Removing a board from the chassis

## Installing Boards on the DGS-6600 Series Chassis Switch

Carry out the following steps to install boards in the DGS-6600 Series Chassis Switch:

1. Remove the component card or blank panel as instructed in the section.
2. Insert the new board into the guide rail of the vacant slot.
3. Use the levers on the left and right hand side to push the board into position and tighten the two captive screws on the board using a straight screw driver.



### Caution

1. Take care not to hold the edge of the PCB or collide the components of the PCB.
2. Always use the levers to plug/unplug a PCB module. Never use force to remove a PCB module.

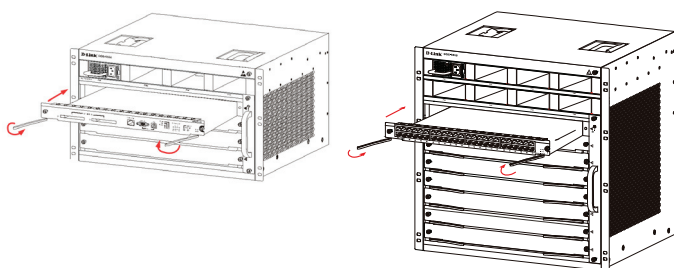


Figure 10. Installation Check

## Installation Check

Verify that the external AC power supply provides the correct voltage and frequency.

Verify that the cabinet has been fastened completely, and does not move or tilt.

Verify that the Power Supplies, CM and Line Cards have been installed in the chassis.

Verify that the optical fiber and twisted pair cables match their respective interfaces.

Verify that the cables have been bound appropriately and are not subject to any excess stress.

Verify that the power cables are in good condition and comply with safety requirements.

Verify that the power module has been firmly installed into the backplane connector.

Turn on the power switch and verify that the power module is operating correctly.

## Unpacking Inspection Requirements

### Checklist

1. DGS-6604/8 Chassis Carton
  - DGS-6604/8 Chassis (no cards installed)
1. Card Module Carton (s)
  - 1 CM Card (DGS-6600-CM or DGS-6600-CM II) for DGS-6604
  - 1 or 2 CM Card (DGS-6600-CM-II) for DGS-6608
  - Line Cards (specific per order)
  - Power Supplies Units (number specific per order)
2. DGS-6600 Series Switch Accessories Carton including:
  - AC Power Cord
  - RS-232 Console Cable (9 pin D-Sub)
  - USB Console Cable (Type A to Type B)
  - Fan Tray
  - Air Filter
  - CD software and manual
  - QIG



## Management Options

The system may be managed out-of-band through the console port(s) and Ethernet port on the Control Module or in-band using Telnet/SSH. Each Switch must be assigned its own IP address, which is used for communication with an SNMP network manager or other TCP/IP application (for example BOOTP, TFTP). The Switch's default IP address is 10.90.90.90 (out-of-band IP address). The user can change the default IP address to meet the specifications of your networking address scheme.

### Connecting the Console Port (USB or 9 Pin D-Sub)

The switch provides a USB or 9 Pin D-Sub Serial Connection to a computer or terminal for monitoring and configuration. To use the console port, you need the following equipment:

- A terminal or a computer with a 9 pin serial port /USB port and the ability to emulate a terminal.
- A null modem or cross-over RS-232 cable with a female DB-9 connector for the switch's console port.

- or -

- A USB cable (with a Type B USB connector for the switch's USB console port) and the Serial USB driver installed on the computer used to connect to the console.



Download the USB-Serial Driver here:

<http://www.prolific.com.tw/eng/downloads.asp?ID=31>

Confirm the driver for your Operating System is for the X chip series.

To connect a terminal to the console port

1. Connect the supplied RJ-45-to DB-9 adapter cable to the standard 9-pin serial port on the PC. Connect the other end of the cable to the console port on the switch. Set the terminal emulation software as follows:

- Baud rate: 115200
- Data bits: 8

- Parity: None
- Stop bits: 1
- Flow control: None

2. Select VT100 for the terminal emulation mode.
3. After you have correctly set up the terminal, plug the power cable into the power supplies on the switch. The boot sequence will appear in the terminal.
4. Press the Enter key at the password prompts. There is no default password for the Switch.
5. Enter the commands to complete your desired tasks. Many commands require administrator-level access privileges. See the CLI Reference Guide on the documentation CD for a list of all commands and additional information using the CLI.

**Telnet Management** Users may also access the switch CLI by using PC's Command Prompt. To access it from your computer, users must first ensure that a valid connection is made through the Ethernet port of the Switch and your PC, and then click Start > Programs > Accessories > Command Prompt on your computer. Once the console window opens, enter the command telnet 10.90.90.90 (depending on configured IP address) and press Enter on your keyboard. You should be directed to the opening console screen for the CLI of the switch, press the Enter key at the password prompts. There is no default password for the Switch.

### SNMP-Based Management

You can manage the Switch with D-Link D-View or any SNMP-compatible console program. The SNMP function is disabled by default for D-Link managed switches.

### Additional Information

If you are encountering problems setting up your network, please refer to the User's Guide that comes with the switch. It contains many more rules, charts, explanations and examples to help you get your network up and running.

Additional help is available through our offices listed online. To learn more about D-Link products or marketing information, please visit the website <http://www.dlink.com>, which will re-direct you to your appropriate local D-Link website.

---

## Technical Support

---

United Kingdom (Mon-Fri)

website: <http://www.dlink.co.uk>

FTP: <ftp://ftp.dlink.co.uk>

Home Wireless/Broadband 0871 873 3000  
(9.00am–06.00pm, Sat 10.00am-02.00pm)

Managed, Smart, & Wireless Switches, or  
Firewalls 0871 873 0909 (09.00am- 05.30pm)  
(BT 10ppm, other carriers may vary.)

Ireland (Mon-Fri)

All Products 1890 886 899 (09.00am-06.00pm,  
Sat 10.00am-02.00pm)

Phone rates: €0.05ppm peak, €0.045ppm off  
peak times



# Informationen zum Handbuch

Dieses Handbuch enthält schrittweise Anleitungen zum Einrichten des Chassis basierten Switch der D-Link DGS-6600 Produktreihe. Beachten Sie, dass Ihr Modell sich möglicherweise geringfügig von den Abbildungen hier unterscheidet.

Bitte lesen Sie dieses Handbuch sorgfältig durch, bevor Sie das Produkt verwenden, und achten Sie besonders auf die Sicherheitswarnungen, um Verletzungen oder Beschädigungen des Geräts zu vermeiden.

Dieses Handbuch richtet sich an Personen, die Erfahrung mit der Installation und Wartung von Netzwerk-Hardware haben. Ein Verständnis der gängigen Begriffe und Konzepte von Netzwerken wird vorausgesetzt.

## Produktübersicht

Der Chassis basierte Switch der D-Link DGS-6600-Produktreihe ist ein intelligentes, hochleistungsfähiges, mehrschichtiges LAN-Gerät für Unternehmensnetzwerke und Stadtbereichsnetzwerke (Metropolitan Area Networks, MAN). Es ist speziell für den Einsatz in Umgebungen ausgelegt, in denen eine unterbrechungsfreie Ausführung von Netzwerkanwendungen sowie ein hohes Maß an Leistung, Sicherheit und Steuerung erforderlich sind.

Mit seiner flexiblen modularen Architektur und der Kompatibilität mit Industriestandards bietet der Switch skalierbare Erweiterungsmöglichkeiten bei hohem Investitionsschutz für Unternehmen und Telekommunikationsbetreiber, die Paketvermittlung und Routing über Gigabit und 10-Gigabit für Büronetzwerke sowie Ethernet-basierte Internetdienste für Privatanutzer bereitstellen möchten.

Der DGS-6604 bietet insgesamt vier Steckplätze, davon einen für ein CM-Modul. Der DGS-6608 bietet insgesamt acht Steckplätze, davon zwei für CM-Redundanz.

## Warnhinweise



### Sicherheitshinweise zur Stromversorgung

Erden Sie das Gerät vor dem Einschalten, um Stromüberspannungen zu vermeiden.

Stellen Sie sicher, dass alle Kabel richtig geerdet sind.



### Warnhinweise zum Schutz vor statischer Aufladung

Tragen Sie beim Berühren des Gehäuses immer ein Erdungsarmband, um Schäden durch statische Aufladung zu vermeiden.



### Sicherheitswarnung zum Laser

LASERPRODUKT DER KLASSE 1

Sehen Sie nie direkt auf die Glasfaserleiter oder -komponenten, da dies zu Augenschäden führen kann.



### Sicherheitswarnung zum Lüfter

Der Lüftermechanismus ist gefährlich. Berühren Sie das Gerät nicht in der Nähe des Lüfters.



### Sicherheitswarnung zum Transport

Das Gewicht des Geräts und der Komponenten kann für den DGS-6604 zusammen 27 kg und für den DGS-6608 40 kg betragen.

Gehen Sie beim Einsetzen oder Heben von Komponenten vorsichtig vor.



### Warnungshinweis zur Wartung

Wartungsarbeiten dürfen nur von qualifizierten Servicetechnikern vorgenommen werden.

# Installationsvorbereitung

Zur Gewährleistung eines normalen Betriebs und einer möglichst langen Lebensdauer des Chassis basierten Switch der DGS-6600 Produktreihe müssen die entsprechend geeigneten Werte für Temperatur und Luftfeuchtigkeit im Geräteraum eingehalten werden.

Bei einer unangemessenen Temperatur oder Luftfeuchtigkeit im Geräteraum können Schäden am Gerät entstehen.

Betriebstemperatur	Luftfeuchtigkeit (bei Betrieb)
0°C - 50°C	10%-90% RF, nicht kondensierend

Tabelle 1. Erforderliche Temperatur und Luftfeuchtigkeit



## Hinweise:

1. Wenn sich keine Schutzblende vor oder hinter dem Geräterack befindet, sollten die Umgebungstemperatur und die Luftfeuchtigkeit an einer Stelle gemessen werden, die sich 1,5 m oberhalb des Bodens und 0,4 m vor dem Gerät befindet.



2. Die Werte für die kurzfristigen Bedingungen gelten, wenn die durchgängige Betriebszeit nicht mehr als 48 Stunden beträgt und die Gesamtbetriebszeit innerhalb eines Jahres 15 Tage nicht überschreitet.

## Verhindern von Schäden durch statische Entladung

Beachten Sie die folgenden Richtlinien, um Schäden durch statische Aufladung zu vermeiden:

1. Alle elektronischen Geräte müssen ausreichend geerdet werden.
2. Staubansammlungen müssen durch geeignete Maßnahmen vermieden werden.
3. In der Betriebsumgebung muss eine angemessene Luftfeuchtigkeit vorherrschen.
4. Tragen Sie bei der Arbeit an elektronischen Schaltkreisen immer ein Erdungsarmband.
5. Fassen Sie Leiterplatten nur an den Kanten an. Berühren Sie keine Komponenten auf Leiterplatten.

6. Achten Sie darauf, dass Leiterplatten nicht mit Kleidung in Berührung kommen. Ein Erdungsarmband kann nur statische Aufladung vermeiden, die vom menschlichen Körper stammt, sie kann jedoch nicht die von Kleidung verursachte statische Aufladung abschwächen.

## Transport des Geräts

Der Chassis basierte Switch der DGS-6600 Produktreihe hat ein beträchtliches Gewicht. Beachten Sie deshalb bei Handhabung und Transport unbedingt die folgenden Anweisungen:

- Das Gerät sollte möglichst selten transportiert werden.
- Sollte ein Heben des Chassis zu beschwerlich sein, versuchen Sie nicht, das Gerät alleine zu heben oder zu transportieren.
- Heben und transportieren Sie das Chassis mithilfe der Tragegriffe auf der Deckenplatte.
- Vor dem Transport des Geräts müssen alle Netzteile bzw. Stromversorgungsgeräte ausgeschaltet und alle Stromkabel abgezogen werden.
- Lösen Sie die Finger-/Kreuzschlitzschrauben ganz und ziehen Sie die Card-Hebel heraus, um alle Linecards, Lüfterfächer und Leistungsmodule vom Chassis zu entfernen, bevor Sie das Gehäuse transportieren.

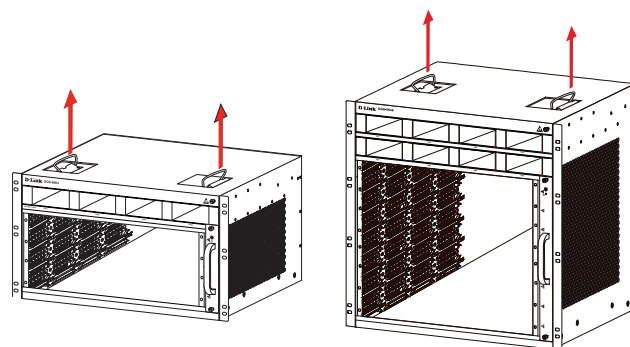


Abbildung 1. Ordnungsgemäßer Transport des Chassis basierten Switch der DGS-6600 Produktreihe



Halten Sie das Gerät beim Transport nicht an den Blenden, den Griffen des Netzteils oder den Lüftungsöffnungen, da diese Bauteile kein großes Gewicht tragen können.

## Erdungsvoraussetzungen für das System: Leistungsbedarf

Eine ordnungsgemäße Erdung trägt zum stabilen und zuverlässigen Betrieb des Chassis basierten Switch der DGS-6600 Produktreihe bei. Stellen Sie sicher, dass die Erdungsbedingungen bei der Installation den Erdungsanforderungen entsprechen, und sorgen Sie für eine entsprechende Erdung der Geräte

Stromverbrauchs- und Wärmeableitungswerte der verschiedenen Komponenten der DGS-6600 Chassis Switch Produktreihe sind in der Tabelle weiter unten aufgeführt:

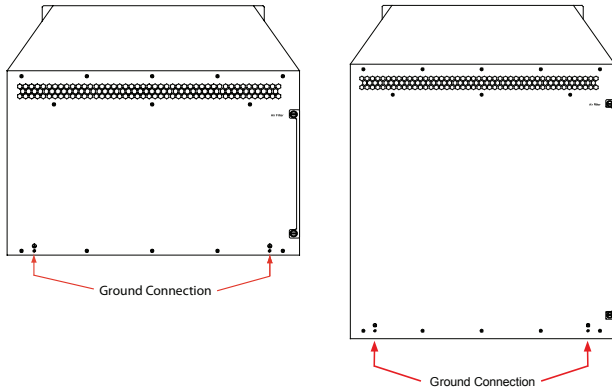


Abbildung 2. Erdung der Geräte der DGS-6600 Produktreihe



### Hinweis:

Alle Erdleiter müssen angeschlossen sein, bevor Wechselstrom den in dem Chassis Switch der DGS-6600 Produktreihe installierten Netzteilen zugeführt wird.

Der Chassis Switch der DGS-6600 Produktreihe mit Wechselstromversorgung muss mit einer Erdungsleitung von mindestens  $0.823 \text{ mm}^2$  (oder 18 AWG) geerdet sein. Diese Kabelleitung verbindet die Erdung des Geräteraums und den Chassis-Erdungsanschluss (Masseanschluss) der DGS-6600 Geräte.

DGS-6600 Produktreihe Modul	Maximaler Stromverbrauch (W)	Wärmeableitung (BTU/Stunde)
DGS-6600-CM	54	184
DGS-6600-48T	110	375
DGS-6600-48S	119	405
DGS-6600-48TS	114	390
DGS-6600-48P	873	2979
DGS-6600-8XG	200	684
DGS-6600-24SC2XS	106	360
DGS-6600-FAN Lüfterfach	43	144
DGS-6600-PWR Netzteil (Wechselstrom)	854 (@110 oder 220 Volt)	2913 (@110 oder 220 Volt)

Tabelle 2. Leistungsbedarf (Card Power)



### Hinweis:

Der DGS-6604 bietet entweder 1+1, 2+1 oder 3+1 redundante Netzteile.

Max. acht Netzteile bei dem DGS-6608 bieten M+N Redundanz, wobei M im Bereich zwischen 1 bis 5 für aktive und N im Bereich zwischen 1 und 3 für Standby-Redundanz (oder passive Redundanz) liegen kann

D-Link empfiehlt den Einsatz mehrerer Netzteile, um den unterbrechungsfreien und stabilen Betrieb des Geräts zu gewährleisten. Redundante Netzteile tragen dazu bei, unerwartete Stromausfälle weitgehend zu verhindern.

Die für die redundante Stromversorgung verwendeten Netzteile müssen identisch sein.

## Voraussetzungen und Anforderungen für die Verwendung der Installationswerkzeuge

Art	Werkzeuge	Anmerkungen
Allgemeine Werkzeuge	Klauenhammer, Zange	Auspacken der Holzkiste und der Transportkiste
	Kreuzschlitzschraubenzieher, gerader Schraubenzieher, Schraubenschlüssel	Auseinanderbauen von Chassis (Gehäuse), Netzteil, Lüfter und Modulen
	Netzgerätekabel, Netzwerkabel, Glasfaserkabel und Verteilerkabel	Verbinden der Schnittstellen
	Lineal, langes Maßband, Markierstift	Abmessen der Installationsposition
	Schrauben, Diagonalzange, Riemen	Chassis-Montage
Spezialwerkzeuge	Erdungsmaterial	Verhindern von statischer Aufladung
	Abisolierzange, Crimpzange	Herstellen von Netzwerk- und Erdungskabeln
Messgerät	Multimeter	Testen der Stromversorgung und des Gleichstromwiderstands
	500 V Megohmmeter	Testen des Isolations- und Erdungswiderstands

Tabelle 3. Erforderliche Werkzeuge

## Voraussetzungen des Installationsstandorts

Ein Chassis basierter Switch der DGS-6600 Produktreihe ist für den Betrieb in Innenräumen bestimmt. Zur Gewährleistung eines normalen Betriebs und einer möglichst langen Lebensdauer muss der Installationsstandort die folgenden Voraussetzungen erfüllen.

### Voraussetzungen für die Rackmontage

Wenn das DGS-6604/8 mm einem Rahmen montiert werden soll, beachten Sie die folgenden Richtlinien:

- Installieren Sie den Switch nach Möglichkeit in einem offenen Schrank. Wenn der Switch in einem geschlossenen Schrank installiert wird, ist auf eine ausreichende Lüftung und Wärmeableitung zu achten.

- Der Schrank muss das Gewicht des DGS-6604/8 einschließlich des Installationszubehörs tragen können.
- Im Schrank muss ausreichend Platz zum Anbringen der vorderen, hinteren, rechten und linken Blenden des DGS-6604/8 vorhanden sein, um die Wärmeableitung zu ermöglichen.
- Der Rahmen muss ordnungsgemäß geerdet werden.

### Lüftungsanforderungen

In der folgenden Abbildung werden die Lüftungsanforderungen des DGS-6604/8 gezeigt. In der Nähe der Lüftungsöffnungen muss sich ausreichend Platz befinden, um eine ordnungsgemäße Belüftung zu ermöglichen. Die angeschlossenen Kabel sollten in Bündeln zusammengefasst oder im Kabelfach platziert werden, damit sie die Lufteinlässe für die Zuluft und Lüftungsöffnungen nicht versperren.

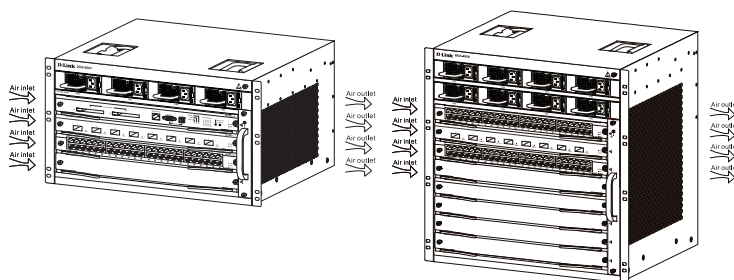


Abbildung 3. Belüftung des Chassis basierten Switch der DGS-6600 Produktreihe

### Schaltschrankinstallation des Chassis basierten Switch der DGS-6600 Produktreihe

1. Heben Sie das Chassis ohne zu kippen (bitten Sie um Hilfe, wenn Ihnen ein sicheres Heben des Chassis nicht möglich ist). Bewegen Sie das Gehäuse langsam zur Vorderseite des Rahmens.
2. Halten Sie das DGS-6604/8 waagrecht und heben Sie es etwas über den Einschub oder die Führungsschiene des Schrankes. Es wird die Verwendung einer Einschubhilfe oder Führungsschiene bei der Installation des Chassis im Rack des Schaltschranks empfohlen.



3. Befestigen Sie das DGS-6604/8 mit Schrauben am Schrank. An der linken und rechten Seite der Vorderblende des Geräte Rahmens befinden sich Befestigungskerben. Verwenden Sie Schrauben zur Befestigung an der Schrankhalterung. Anschließend sollte das Gerät stabil und unbeweglich sein.

## Installation des Lüfterfachs

Der Lüftereinsatz DGS-6600-FAN bildet das Lüftungssystem der DGS-6600 Geräte. Der Lüftereinsatz DGS-6600-FAN-II bildet das Lüftungssystem des DGS-6608. Gehen Sie wie folgt vor, um den Lüftereinsatz zu installieren:

1. Entfernen Sie die Leerblende des Lüfterfachs, indem Sie die unverlierbaren Schrauben lösen.
2. Setzen Sie das Lüfterfach auf die Führungsschiene des Lüfterfachsteckplatzes.
3. Befestigen Sie das Lüfterfach durch Anziehen seiner unverlierbaren Schrauben.

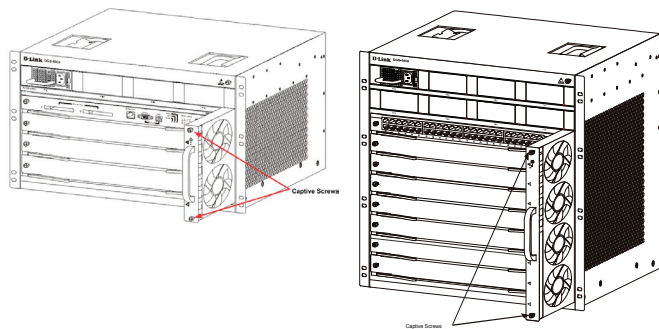


Abbildung 4. Installation des Lüfterfachs

## Installieren des Netzteils/der Netzteile

Die Stromversorgung des Switch der DGS-6600 Produktreihe erfolgt über ein Netzteil. Die Abbildung unten zeigt die Installation des Netzteils:

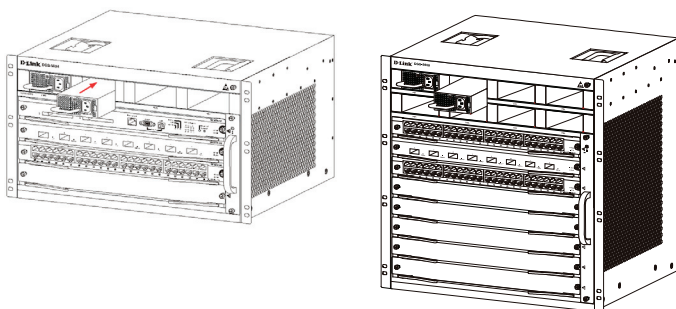


Abbildung 5. Installation des Netzteils

## Anschließen der Systemerdung

An der Rückseite des DGS-6604/8 befindet sich ein GND-Anschluss (Betriebserdung). GND muss direkt mit der Erdungsschiene des Geräte Raums verbunden werden. Wenn eine digitale und eine analoge Erdungsschiene im Geräte raum vorhanden ist, sollte GND mit der digitalen Schiene verbunden werden.

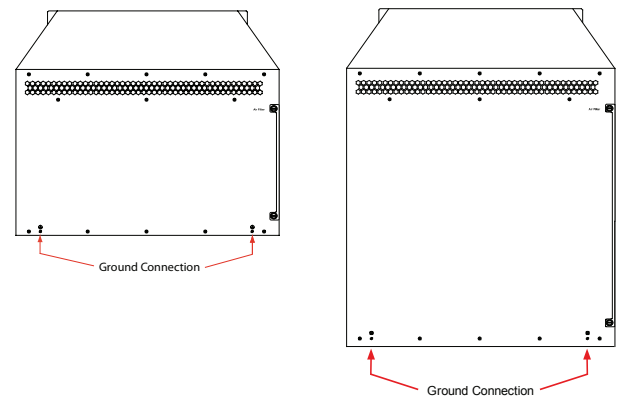


Abbildung 6. Masseanschlüsse auf der Rückseite des Chassis Switch der DGS-6600 Produktreihe

Die Querschnittsfläche des Erdungskabels (min. 18 AWG (American Wire Gauge)/0,79 mm gemäß AWG Datentabelle) sollte nach sicherer Leitung der größtmöglichen Stromspannung ausgewählt werden. Verwenden Sie isolierte Kabel mit hoher Leitfähigkeit.

- Verwenden Sie keinen Blankdraht.
- Der Erdungswiderstand für eine kombinierte Erdung muss weniger als 1 Ohm ( $\Omega$ ) betragen.

## Einfache Erdungsschritte

- Lösen Sie die Mutter an der hinteren Erdungsklemme des Geräts.
- Befestigen Sie den Anschluss des Erdungskabels am Erdungsstab.
- Ziehen Sie die Befestigungsmutter wieder an der Erdungsklamme an.
- Schließen Sie das andere Ende des Erdungskabels an eine geeignete Erdungsschiene an.

## Installation des Luftfilters für den Chassis Switch der DGS-6600 Produktreihe

Auf der Rückseite des Chassis am rechten Seitenrand befindet sich ein vertikaler Schlitz zur Installation des Luftfilters. Schieben Sie, wie in der folgenden Abbildung dargestellt, einen gereinigten oder neuen Luftfilter in den Steckplatz. Befestigen Sie dann den Luftfilter am Chassis mithilfe der zwei Finger-/Kreuzschlitzschrauben (siehe Pfeile auf der Abbildung). Sobald der Luftfilter eingesetzt ist, befestigen Sie ihn mit zwei Schrauben an der Seite des Chassis, wie durch die roten Pfeile in der Abbildung dargestellt.

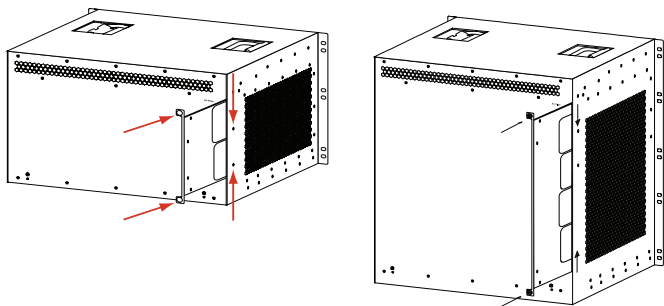


Abbildung 7. Installation des Luftfilters



Der Luftfilter sollte im Anschluss an die Installation aller anderen Komponenten im Chassis installiert werden.

## Anschließen des Netzteils an die Stromversorgung

Verwenden Sie das entsprechende Netzkabel zum Anschluss an die Wechselstromversorgung, wie in der folgenden Abbildung dargestellt:

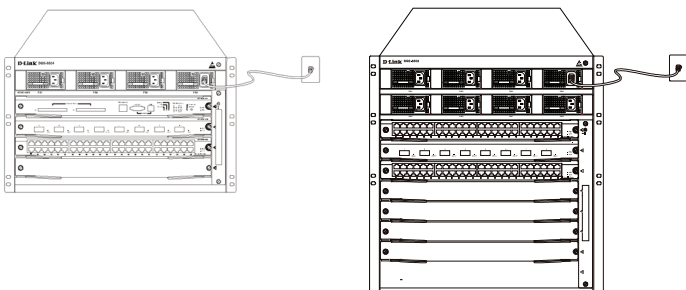


Abbildung 8. Wechselstrom zum Netzteil

## Warnhinweise zum Anschluss des Netzteils

- Vor dem Anschluss des Netzteils muss sichergestellt werden, dass das im Lieferumfang enthaltene Netzteil zur existierenden Wechselstromversorgung passt.
- Verwenden Sie nur ein Stromkabel mit einem 3-poligen Standardstecker.
- Die angeschlossenen Stromkabel müssen gute Kontakte aufweisen.
- Sobald das Netzkabel an die Steckdose und das Netzteil angeschlossen ist, beginnt die Stromzufuhr.

## Einfache Schritte zum Wechselstromanschluss

1. Stecken Sie den Stecker des Stromkabels in das Netzteil.
2. Sichern Sie das Stromkabel mithilfe der Stromkabelklemme auf der rechten Seite.
3. Stecken Sie das andere Ende des Stromkabels in die entsprechende Steckdose oder Buchse.

## Anschluss des seriellen Managementmodul-Kabels

### Einfacher Anschluss des Hauptprozessor-Modulkabels

1. Schließen Sie den RJ45-Steckverbinder eines Ethernet-Kabels an den Ethernet-Port des Managementmoduls des Switch (DGS-6600-CM) an und das andere Ende des Kabels an ein TCP/IP-fähiges Gerät, das Telnet oder SSH ausführen kann,

- oder -

2. stecken Sie die Standardsteckverbindung DB9 des seriellen Kabels an den seriellen RS-232 Port des Switch-Managementmoduls und das andere Ende an den PC/das Notebook oder die Leitdatenstation (Steuerterminal)

- oder -



3. schließen Sie ein USB-Kabel mit einer USB-Steckverbindung Standard B an die Standard B Buchse am Managementmodul des Switch an. Schließen Sie das andere Ende an einen mit einem USB-Port ausgestatteten Computer an, der eine serielle Schnittstelle unterstützen kann, die den PL-2303 USB Serial Driver SW von Prolific Technology Inc. verwendet.

### Entnahme von Leiterplatten aus dem Chassis Switch der DGS-6600 Produktreihe

Gehen Sie wie folgt vor, um Leiterplatten dem Chassis Switch der DGS-6600 Produktreihe zu entnehmen:

1. Ziehen Sie alle Kupfer-/Glasfaserkabel von dem zu entfernenden Modul ab, d. h. RJ45 Twisted-pair- und Lichtwellenleiterkabel.
2. Lösen Sie die zwei unverlierbaren Schrauben der Blende.
3. Ziehen Sie, wie in der folgenden Abbildung dargestellt, mit beiden Händen an den Hebeln auf beiden Seiten der Leiterplatte, um sie aus dem Chassis Switch der DGS-6600 Produktreihe zu nehmen.



#### Warnhinweis:

Tragen Sie bei der Entnahme oder dem Einsetzen eines Moduls immer ein Erdungsarmband.

Halten Sie das Modul nicht an seinem Rand und achten Sie darauf, dass die Komponenten des Moduls nirgends anstoßen.

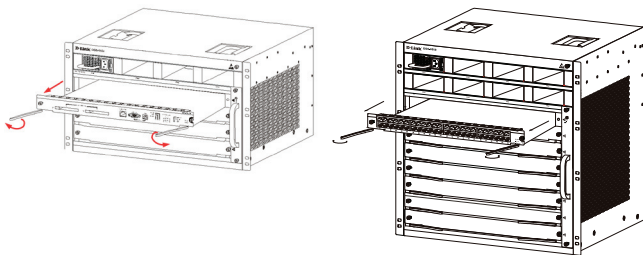


Abbildung 9. Modul aus dem Chassis nehmen

### Installation von Leiterplatten im Chassis Switch der DGS-6600 Produktreihe

Gehen Sie wie folgt vor, um Leiterplatten im Chassis Switch der DGS-6600 Produktreihe zu installieren:

1. Entfernen Sie die Komponentenkarte oder die Leerblende, wie im Abschnitt beschrieben.
2. Setzen Sie das neue Modul auf die Führungsschiene des freien Einschubrahmens.
3. Verwenden Sie die Hebel auf der linken und rechten Seite, um das Modul in seine vorgeschriebene Position zu bringen, und ziehen Sie dann die zwei unverlierbaren Schrauben an dem Modul mithilfe eines Schraubendrehers fest.



#### Warnhinweis:

1. Halten Sie das Modul nicht an seinem Rand und achten Sie darauf, dass die Komponenten des Moduls nirgends anstoßen.
2. Verwenden Sie zum Einsetzen/Entnehmen eines Moduls immer die dafür vorgesehenen Hebel. Wenden Sie niemals Kraft an, um ein Modul zu entnehmen.

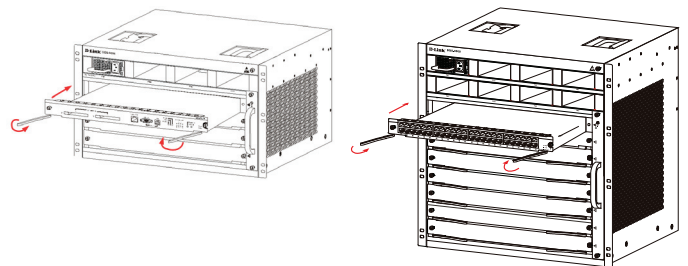


Abbildung 10. Installationsprüfung

### Prüfliste für die Installation

Vergewissern Sie sich, dass die externe Wechselstromversorgung die korrekte Spannung und Frequenz liefert.

Stellen Sie sicher, dass der Schrank richtig fixiert ist und sich weder bewegt noch neigt.

Stellen Sie sicher, dass Netzteile, CM und Linecards im Chassis installiert sind.

Stellen Sie sicher, dass die Lichtwellenleiter (Glasfaserkabel) und die Twisted-Pair-Kabel mit den richtigen Anschlüssen verbunden sind.

Stellen Sie sicher, dass die Kabel sachgerecht angebracht und befestigt sind und keinerlei Überbeanspruchungen ausgesetzt sind.

Stellen Sie sicher, dass die Stromkabel sich in gutem Zustand befinden und alle Sicherheitsanforderungen erfüllen.

Stellen Sie sicher, dass das Netzteil fest in der Backplane-Steckverbindung installiert ist.

Schalten Sie den Stromschalter ein und stellen Sie sicher, dass das Netzteil korrekt funktioniert.

## Überprüfung beim Entpacken des Produkts

### Prüfliste

1. DGS-6604/8 Chassis-Karton
  - DGS-6604/8 Chassis (ohne installierte Module)
2. Card-Modul-Karton(s)
  - 1 CM Card (DGS-6600-CM oder DGS-6600-CM II) für DGS-6604
  - 1 oder 2 CM Card(s) (DGS-6600-CM-II) für DGS-6608
  - Linecards (gemäß Bestellung)
  - Netzteile (Anzahl gemäß Bestellung)
3. Das Zubehör für den Switch der DGS-6600 Produktreihe umfasst:
  - Netzkabel
  - RS-232 Konsolenkabel (9 Pin D-Sub)
  - USB-Konsolenkabel (Typ A zu Typ B)
  - Lüfterfach
  - Luftfilter
  - CD-Software und Handbuch
  - Schnellinstallationsanleitung

## Managementoptionen

Sie können für das System eine Fernverwaltung (Out-of-band) über den/die Konsolenport(s) und den Ethernet-Port des Steuerungsmoduls oder eine In-Band-Verwaltung mithilfe von Telnet/SSH vornehmen. Jedem Switch muss eine eigene IP-Adresse zugewiesen werden, die für die Kommunikation mit einem SNMP-Netzwerkverwaltungsprogramm oder einer anderen TCP/IP-Anwendung (beispielsweise BOOTP, TFTP) verwendet wird. Die Standard-IP-Adresse des Switch ist 10.90.90.90 (Out-of-band IP-Adresse). Sie können die standardmäßige IP-Adresse gemäß den Anforderungen Ihres Netzwerkadressensystems ändern.

### Anschluss des Konsolenports (USB oder 9 Pin D-Sub)

Ihr Switch bietet eine USB- oder 9 Pin D-Sub serielle Verbindung zu einem Computer oder Terminal zu Überwachungs- und Konfigurationszwecken. Zur Verwendung des Konsolenports benötigen Sie die folgenden Komponenten:

- Ein Terminal oder einen Computer mit einem seriellen 9 PinPort / USB-Port und Terminal-Emulationsfähigkeiten.
- Ein Nullmodem- oder RS-232 Crossover-Kabel mit einer DB-9-Buchse für den Konsolenport am Switch

- oder -

- ein USB-Kabel (mit einem USB-Stecker Typ B für den USB-Konsolenport des Switch) und dem seriellen USB-Treiber installiert auf dem Computer, der zum Anschluss an die Konsole verwendet werden soll.



Hier können Sie den seriellen USB-Treiber herunterladen:

<http://www.prolific.com.tw/eng/downloads.asp?ID=31>

Bestätigen Sie, dass der Treiber für Ihr Betriebssystem für die X-Chip-Serie ist.

Anschluss eines Terminals an den Konsolenport:

1. Schließen Sie das mitgelieferte Adapterkabel (RJ-45-zu-DB-9) an den 9-poligen seriellen Standardport des PCs an. Schließen Sie das andere Kabelende an den Konsolenport am Switch an. Nehmen Sie in der Terminal-Emulations-Software folgende Einstellungen vor:
  - Baud rate (Baudrate): 115200
  - Data bits (Datenbit): 8
  - Parity (Parität): Keine
  - Stop bits (Stoppbits): 1
  - Flow Control (Datenflusssteuerung): Keine
2. Wählen Sie VT100 für den Terminal-Emulationsmodus.
3. Nachdem Sie das Terminal korrekt eingerichtet haben, schließen Sie das Stromkabel an die Netzteile am Switch an. Die Startsequenz wird am Terminal angezeigt.
4. Wenn Sie zur Eingabe des Kennworts aufgefordert werden, drücken Sie die Eingabetaste. Für den Switch gilt kein Standardkennwort.
5. Geben Sie die Befehle für die gewünschten Aufgaben ein. Für zahlreiche Befehle sind Administratorberechtigungen erforderlich. Im Dokument „CLI-Befehlsverweise“ auf der Dokumentations-CD finden Sie eine Liste aller Befehle sowie zusätzliche Informationen zur Verwendung der Befehlszeilenschnittstelle (CLI).

**Telnet Management** Der Zugriff auf die Switch-CLI ist auch über die Befehlszeile des PCs möglich. Dazu müssen Sie zunächst sicherstellen, dass über den Ethernet-Port des Switch und Ihrem PC eine Verbindung besteht. Klicken Sie dann auf Ihrem Computer auf Start > Programme > Zubehör > Eingabeaufforderung. Sobald das Konsolen-Fenster geöffnet ist, geben Sie den Befehl telnet 10.90.90.90 (abhängig von der konfigurierten IP-Adresse) ein und drücken Sie auf die Eingabetaste auf Ihrer Tastatur. Daraufhin sollte der erste Konsolenbildschirm der Switch-CLI angezeigt werden. Wenn Sie zur Eingabe des Kennworts aufgefordert werden, drücken Sie die Eingabetaste. Für den Switch gilt kein Standardkennwort.

## Das SNMP-basierte Management

Der Switch kann mit D-Link D-View oder jedem SNMP-kompatiblen Konsolenprogramm verwaltet werden. Die SNMP-Funktion ist für D-Link verwaltete Switches standardmäßig deaktiviert.

## Weitere Informationen

Wenn beim Einrichten Ihres Netzwerks Probleme auftreten, schlagen Sie im Benutzerhandbuch nach, das mit dem Switch geliefert wurde. Hier finden Sie weitere Regeln, Diagramme, Erläuterungen und Beispiele, die Ihnen bei der Inbetriebnahme Ihres Netzwerks helfen. Weitere Unterstützung ist von unseren online aufgelisteten Niederlassungen erhältlich. Wenn Sie an weiteren Einzelheiten zu den Produkten von D-Link oder an Marketinginformationen interessiert sind, besuchen Sie die Website <http://www.dlink.com>. Dort werden Sie an Ihre entsprechende regionale D-Link-Website weitergeleitet.

---

## Technische Unterstützung

---

Deutschland: Web: <http://www.dlink.de>  
Telefon: +49(0)1805 2787 0,14 € pro Minute  
Zeiten: Mo. –Fr. 09:00 – 17:30 Uhr

Österreich: Web: <http://www.dlink.at>  
Telefon: +43(0)820 480084 0,116 € pro Minute  
Zeiten: Mo. –Fr. 09:00 – 17:30 Uhr

Schweiz: Web: <http://www.dlink.ch>  
Telefon: +41(0)848 331100 0,08 CHF pro Minute  
Zeiten: Mo. –Fr. 09:00 – 17:30 Uhr

\* Gebühren aus Mobilnetzen und von anderen Providern können abweichen.

# À Propos de ce Guide

Ce guide fournit des instructions qui vous aideront à configurer étape par étape le commutateur de type châssis DGS-6600 de D-Link. Notez que le modèle que vous avez acheté peut légèrement différer de celui illustré sur les figures.

Lisez consciencieusement ce manuel avant d'utiliser le produit, en faisant particulièrement attention aux avertissements de sécurité afin de prévenir tout risque d'accident ou de dommage matériel.

Ce manuel est destiné aux utilisateurs spécialisés dans l'installation et la maintenance de matériel réseau, et part du principe que les utilisateurs connaissent les termes et les concepts standard de mise en réseau.

## Présentation du produit

Le commutateur de type châssis DGS-6600 de D-Link est un appareil de réseau local intelligent et multicouches hautes performances conçu pour les campus d'entreprises et les réseaux métropolitains (MAN). Il est idéal pour un déploiement dans des environnements qui exigent des applications réseau sans interruptions et un haut niveau de performances, de sécurité et de contrôle.

Caractérisé par une architecture modulaire flexible et par sa conformité aux normes de l'industrie, le commutateur est évolutif et offre un haut-niveau de protection de l'investissement aux entreprises et aux sociétés de télécoms en vue de la commutation et du routage de paquets Gigabit et 10 Gigabit pour les mises en réseaux d'entreprises et les services Internet aux particuliers reposant sur le protocole Ethernet.

Le DGS-6604 est équipé de quatre slots dont un pour le module CM. Le DGS-6608 est équipé de huit slots dont deux pour la redondance CM.

## Avertissements



### Avertissement de sécurité relatif à l'alimentation

Avant de mettre l'appareil sous tension, mettez-le à la terre afin de le protéger contre les surtensions.

Assurez-vous que tous les câbles soient correctement mis à la terre.



### Avertissement de protection contre l'électricité statique

Portez toujours un bracelet antistatique lors du branchement du châssis afin de prévenir tout risque lié à l'électricité statique.



### Avertissement de sécurité relatif au laser

PRODUIT LASER DE CLASSE 1

Ne regardez pas directement l'interface optique ou les fibres optiques afin d'éviter tout risque de lésion oculaire.



### Avertissement de sécurité relatif au ventilateur

Le mécanisme de ventilation est dangereux. Évitez tout contact avec la zone proche du ventilateur.



### Avertissement de sécurité relatif au transport

Le poids du périphérique et de ses composants peut être supérieur à 27 kg au total pour le DGS-6604 et peut aller jusqu'à 40 kg au total pour le DGS-6608.

Faites attention lorsque vous insérez ou enlevez des composants lourds.



### Avertissement relatif à la maintenance

La maintenance ne doit être effectuée que par des techniciens de maintenance qualifiés.



# Préparation en vue de l'installation

Pour garantir le fonctionnement normal et une longue durée de vie du commutateur de type châssis DGS-6600, des valeurs adéquates de température et d'humidité doivent être maintenues dans le local de l'appareil.

À défaut, l'appareil risque d'être endommagé.

Température de fonctionnement	Humidité en fonctionnement
0 °C à 50 °C	10 % à 90 % sans condensation

Tableau 1. Température et humidité requises



## Remarques :

1. La température ambiante et l'humidité doivent être mesurées 1,5 m au-dessus du sol et à 40 cm de l'avant de l'appareil si celui-ci n'est pas équipé de capots de protections à l'avant ou l'arrière du rack de l'appareil



2. Les conditions d'exploitation à court terme s'appliquent quand la période d'exploitation continue ne dépasse pas 48 heures et que la période totale cumulée dans l'année ne dépasse pas 15 jours

## Prévention contre les risques liés à l'électricité statique

Pour prévenir tout risque lié à l'électricité statique, suivez les recommandations ci-après :

1. Veillez à bien mettre à la terre tous les équipements électroniques.
2. Utilisez des mesures de prévention appropriées contre la poussière.
3. Maintenez l'humidité requise dans l'environnement d'exploitation
4. Portez toujours un bracelet antistatique si vous travaillez près de circuits électroniques.
5. Tenez un circuit imprimé par ses bords. Ne touchez aucun composant du circuit imprimé.
6. Évitez tout contact entre les vêtements et les

circuits imprimés. Les bracelets antistatiques préviennent les risques liés à l'électricité statique du corps humain, mais n'atténuent pas l'électricité statique des vêtements.

## Déplacement de l'appareil

Le commutateur de type châssis DGS-6600 est très lourd. Lors de sa manipulation, suivez les recommandations ci-après :

- Évitez de déplacer fréquemment l'appareil.
- Si vous trouvez le poids du châssis insupportable, ne tentez pas de soulever l'appareil seul.
- Soulevez et déplacez le châssis en utilisant les poignées sur le panneau supérieur.
- Mettez l'appareil hors tension et débranchez tous les câbles d'alimentation avant de le déplacer.
- Desserrez complètement les vis à oreilles/cruciformes et tirez sur les leviers pour enlever l'ensemble des cartes de lignes, le tiroir de ventilation et les modules d'alimentation du châssis avant de la déplacer.

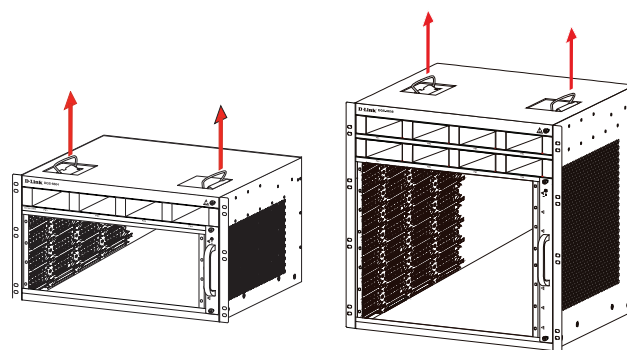


Figure 1. Déplacement correct du commutateur de type châssis DGS-6600



Ne déplacez pas l'appareil en le saisissant par les panneaux, les poignées de l'alimentation ou les orifices de ventilation, car ils n'ont pas été conçus pour résister au poids.

## Exigences relatives à la mise à la terre du système :

Une mise à la terre correcte aidera à un fonctionnement stable et fiable du commutateur de type châssis DGS-6600. Vérifiez que les conditions de mise à la terre soient conformes aux exigences sur le site d'installation, puis reliez tous les périphériques à la terre comme il convient

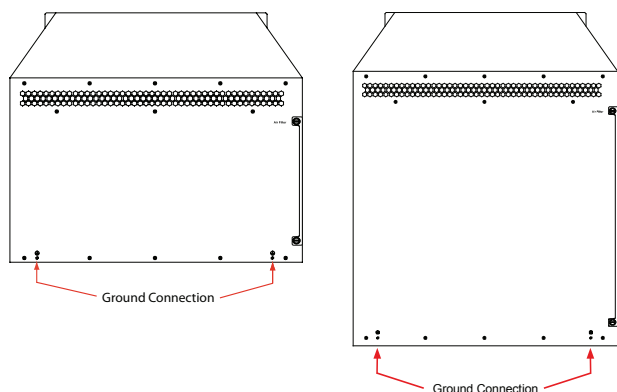


Figure 2. Mise à la terre du DGS-6600



### Remarque :

Tous les conducteurs de terre doivent être connectés avant que le courant électrique ne soit appliqué aux alimentations CA du DGS-6600.

Le DGS-6600 avec ses alimentations CA doit être relié à la terre avec un câble de masse conductrice d'au moins 0,823 mm<sup>2</sup> (18 AWG). Ce câble relie la masse du local technique et la borne de masse du châssis DGS-6600.

## Alimentation requise

Les valeurs de consommation d'énergie et de dissipation de chaleur des différents composants du DGS-6600 sont répertoriées dans le tableau ci-dessous :

Module de la gamme DGS-6600	Consommation électrique maximale (W)	Dissipation de chaleur (BTU/heure)
DGS-6600-CM	54	184
DGS-6600-48T	110	375
DGS-6600-48S	119	405
DGS-6600-48TS	114	390
DGS-6600-48P	873	2979
DGS-6600-8XG	200	684
DGS-6600-24SC2XS	106	360
Tiroir de ventilation DGS-6600-FAN	43	144
Alimentation secteur DGS-6600-PWR	854 (@110 V CA ou 220 V CA)	2913 (@110 V CA ou 220 V CA)

Tableau 2. Exigences relatives à l'alimentation des cartes



### Remarque :

Le DGS-6604 fournit 1+1, 2+1, ou 3+1 alimentations CA redondantes.

Huit alimentations CA maximum sur le DGS-6608 fournissant M+N redondants, où M est compris entre 1 et 5 en mode actif et N est compris entre 1 et 3 en veille

D-Link recommande d'utiliser plusieurs alimentations pour garantir un fonctionnement continu et stable de l'appareil. Les alimentations redondantes aident à prévenir les pannes d'alimentation inattendues. Les alimentations redondantes doivent être identiques.



## Outils requis pour l'installation

Type	Outils	Remarques
Outils courants	Marteau à panne fendue, pince	Ouverture de la caisse en bois et de la caisse de transport.
	Tournevis cruciforme, tournevis plat, clé	Démontage du châssis, de l'alimentation, du ventilateur et des modules
	Câbles d'alimentation, câbles réseau, fibres optiques et câbles de distribution	Branchement des interfaces.
	Règle, long mètre-ruban, marqueur	Mesure des dimensions de l'installation.
	Boulons, pinces coupantes diagonales, sangles	Montage du châssis.
Outils à usage spécial	Outil antistatique	Prévention des risques liés à l'électricité statique.
	Pince à dénuder, pince à sertir	Préparation des câbles réseau et des câbles de terre.
Outils de mesure	Multimètre	Test de l'alimentation et de la résistance CC.
	Mégohmmètre 500 V	Test de la résistance d'isolement et de la résistance de terre.

Tableau 3. Outils requis

## Conditions requises pour le site d'installation

Le commutateur de type châssis DGS-6600 doit être utilisé à l'intérieur. Pour garantir le fonctionnement normal et une longue durée de vie de l'appareil, le site de l'installation doit respecter les conditions suivantes.

### Exigences pour un montage en rack

Si vous envisagez de monter le DGS-6604/8 dans un bâti, suivez les recommandations ci-après :

- Installez le commutateur dans une armoire ouverte si possible. Si vous installez le commutateur dans une armoire fermée, assurez-vous que l'armoire soit bien ventilée et équipée d'un bon système de dissipation de chaleur.
- Assurez-vous que l'armoire soit suffisamment résistante pour supporter le poids du DGS-6604/8 et de ses accessoires d'installation.
- Assurez-vous que les dimensions de l'armoire laissent suffisamment d'espace tout autour des panneaux du DGS-6604/8 afin de permettre la dissipation de la chaleur.
- Le bâti doit être mis à la terre de façon appropriée.

### Exigences de ventilation

La figure suivante montre les exigences de ventilation du DGS-6604/8. Vous devez prévoir suffisamment d'espace autour des orifices de ventilation pour assurer une bonne ventilation. Après le branchement des câbles, disposez-les dans des faisceaux ou dans un chemin de câbles pour éviter de boucher les entrées d'air et les orifices de ventilation.

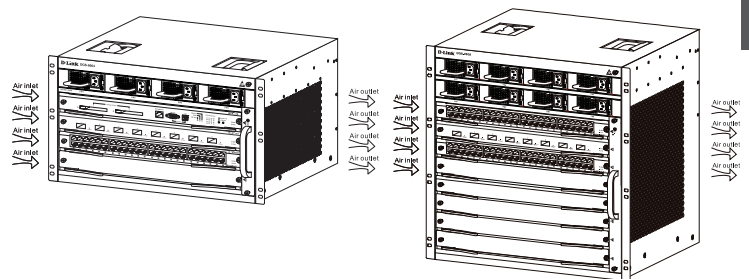


Figure 3. Ventilation correcte du commutateur de type châssis DGS-6600

### Montage du commutateur de type châssis DGS-6600 dans l'armoire

1. Soulevez le châssis (demandez de l'aide si le châssis pèse plus que ce que vous pouvez soulever en toute sécurité) en le maintenant à niveau. Déplacez-le lentement vers l'avant du bâti.
2. Tout en maintenant le DGS-6604/8 à niveau, soulevez-le un peu plus haut que le plateau ou que la glissière de l'armoire. L'utilisation d'un plateau ou d'une glissière lors de l'installation du châssis dans le rack est recommandée.

- Fixez le DGS-6604/8 à l'armoire au moyen de vis. Pour ce faire, le panneau avant du bâti de l'appareil est doté d'encoches de fixation à gauche et à droite. Utilisez des vis pour les fixer au support de l'armoire / Après fixation, l'appareil devrait être stable et immobile.

### Installation du tiroir de ventilation

Le tiroir de ventilation DGS-6600-FAN est utilisé comme système de ventilation du DGS-6600. Le tiroir de ventilation DGS-6600-FAN-II est utilisé comme système de ventilation du DGS-6608. Procédez comme suit pour installer le tiroir de ventilation :

- Utilisez les vis à oreilles pour enlever le panneau aveugle du tiroir de ventilation.
- Insérez le tiroir de ventilation dans le rail de guidage de son slot.
- Fixez le tiroir de ventilation en serrant ses vis imperdables.

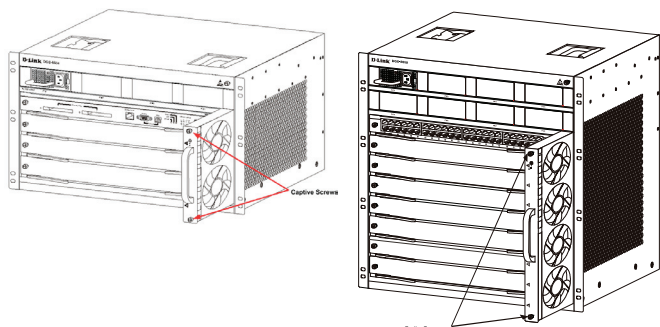


Figure 4. Installation du tiroir de ventilation

### Installation de l'alimentation/des alimentations

Le commutateur DGS-6600 est alimenté à l'aide d'une alimentation CA. La procédure d'installation de l'alimentation CA est illustrée sur le schéma ci-dessous :

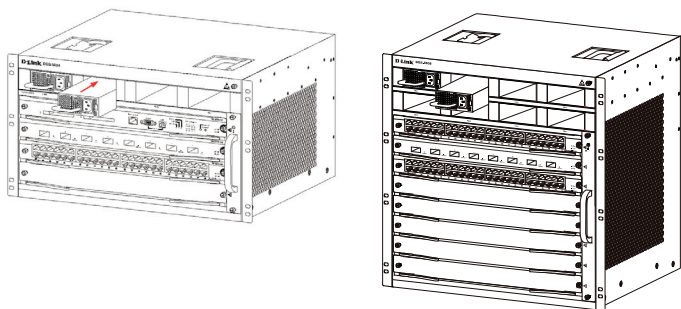


Figure 5. Installation de l'alimentation

### Mise à la terre de l'appareil

Une masse de travail GND est installée à l'arrière du DGS-6604/8. La masse GND doit être directement raccordée à la barre de masse du local technique. Si le local technique comporte une barre de masse numérique et une barre de masse analogique, raccordez la masse GND à la barre numérique.

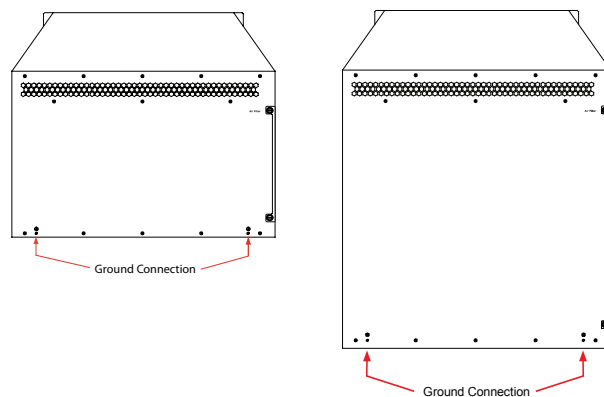


Figure 6. Connexions à la terre à l'arrière du commutateur de type châssis DGS-6600

La superficie de la section du câble de terre (au moins 18 AWG) doit être choisie pour pouvoir transporter en toute sécurité le courant maximal possible. Utilisez des câbles isolés de bonne conductivité.

- N'utilisez pas de fils nus.
- La résistance de terre du système combiné de mise à la terre doit être inférieure à 1 Ohm ( $\Omega$ ).

### Étapes pour une mise à la terre aisée

- Desserrez l'écrou de la borne de masse arrière de l'appareil.
- Raccordez le connecteur du câble de terre à la borne de masse.
- Resserrez l'écrou sur la borne de masse.
- Connectez l'autre extrémité du câble de terre à une barre de masse appropriée.

## Installation du filtre à air du commutateur de type châssis DGS-6600

À l'arrière du châssis, au bord du côté droit, il y a une fente verticale où le filtre à air peut être installé. Insérez un filtre à air propre ou un nouveau filtre dans la fente comme sur le schéma suivant. Ensuite, vissez les deux vis à oreilles/cruciformes (voir les flèches sur le schéma) pour fixer le filtre à air au châssis. Une fois le filtre à air installé, vissez deux vis sur le côté du châssis, comme indiqué par les flèches rouges sur le schéma.

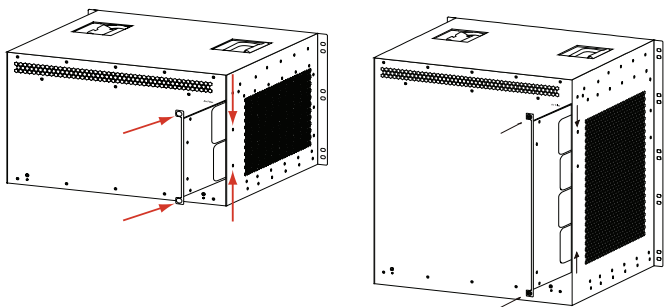


Figure 7. Installation du filtre à air



Il est recommandé de procéder à l'installation du filtre à air à la fin de l'installation du châssis.

## Connexion de l'alimentation CA au module d'alimentation

Connectez le câble d'alimentation CA correspondant au panneau du module d'alimentation CA, comme indiqué sur le schéma suivant :

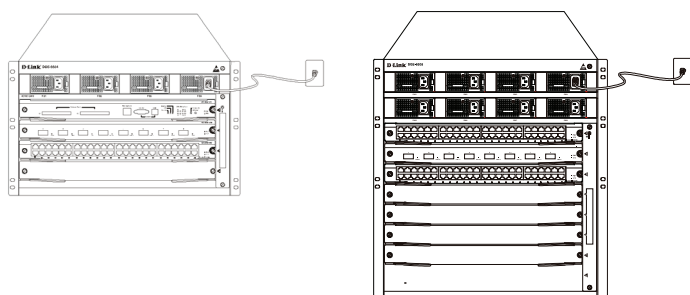


Figure 8. Connexion du courant alternatif au module d'alimentation

## Précautions relatives à la connexion de l'alimentation CA

- Vérifiez que l'alimentation externe fournie corresponde au module d'alimentation installé dans le commutateur avant de connecter l'alimentation.

- Utilisez un câble d'alimentation avec un connecteur standard à 3 broches pour le branchement électrique.
- Assurez-vous que les contacts des câbles d'alimentation branchés sont bien établis.
- Une fois le câble d'alimentation branché à la fois à la prise de courant et à l'alimentation, l'alimentation démarre instantanément.

## Étapes pour une connexion aisée de l'alimentation CA

1. Insérez la fiche du câble d'alimentation dans le module d'alimentation.
2. Sécurisez le câble d'alimentation au serre-câble sur la droite.
3. Branchez l'autre extrémité du câble d'alimentation à la prise ou au connecteur correspondant.

## Connexion du câble série du module de gestion

### Connexion simple du câble du module du processeur

1. Connectez l'extrémité RJ-45 du câble Ethernet au port Ethernet du module de gestion du commutateur (DGS-6600-CM) et branchez l'autre extrémité du câble à n'importe quel périphérique TCP/IP capable d'exécuter Telnet ou SSH.

- ou -

2. Connectez l'extrémité RS-232 du câble série DB-9 standard au port série RS-232 du module de gestion du commutateur, puis connectez l'autre extrémité à l'ordinateur portable ou de bureau ou à la borne de commande.

- ou -

3. Branchez le connecteur mâle standard de type B d'un câble USB à la prise femelle standard de type B sur le module de gestion du commutateur. Branchez l'autre extrémité à un ordinateur équipé d'un port USB capable de prendre en charge une interface série à



### Attention

1. Ne touchez pas le bord du circuit imprimé ni ses composants.
2. Utilisez toujours les leviers pour insérer/enlever un module contenant un circuit imprimé. N'utilisez jamais la force pour enlever un module contenant un circuit imprimé.

## Retrait des cartes du commutateur de type châssis DGS-6600

Procédez comme suit pour démonter les cartes du commutateur de type châssis DGS-6600 :

1. Débranchez tous les câbles en cuivre ou à fibre, c.-à-d. les câbles RJ-45 à paires torsadées et les câbles à fibres optiques, de la carte à démonter.
2. Desserrez et dévissez les deux vis imperdables du panneau.
3. Utilisez les deux mains pour tirer sur les leviers, à gauche et à droite de la carte, pour l'enlever du DGS-6600, comme le montre le schéma suivant.

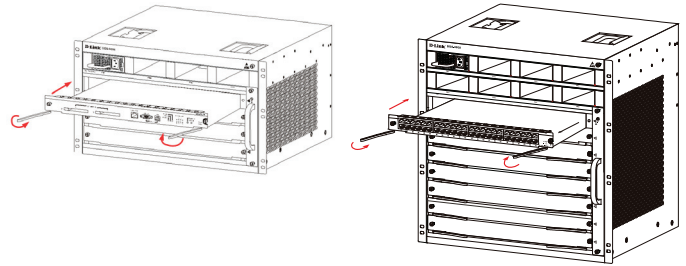


Figure 10. Vérification de l'installation



### Attention

Portez toujours un bracelet antistatique avant d'enlever ou d'ajouter une carte.

Ne touchez pas le bord du circuit imprimé ni ses composants.

## Vérification de l'installation

Vérifiez que l'alimentation CA externe fournit la tension et la fréquence correctes.

Vérifiez que tous les éléments de l'armoire sont bien fixés, que rien ne bouge ou ne peut basculer.

Vérifier que les alimentations, le module de commande et les cartes de lignes ont été installés dans le châssis.

Vérifiez que les câbles à fibre optique et à paires torsadées correspondent à leurs interfaces respectives.

Vérifiez que les câbles ont été attachés de manière appropriée et ne sont soumis à aucun excès de tension.

Vérifiez que les câbles d'alimentation sont en bon état et conformes aux exigences de sécurité applicables.

Vérifiez que le module d'alimentation a été fermement inséré dans le connecteur du fond de panier.

Mettez le commutateur sous tension et vérifiez que le module d'alimentation fonctionne correctement.

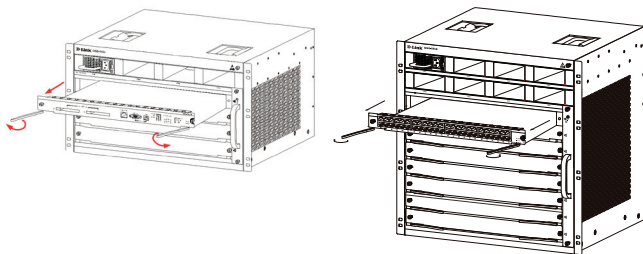


Figure 9. Enlever une carte du châssis

## Installation des cartes sur le commutateur de type châssis DGS-6600

Procédez comme suit pour installer les cartes du commutateur de type châssis DGS-6600 :

1. Enlevez la carte de composants ou le panneau aveugle comme indiqué dans la section.
2. Insérez la nouvelle carte dans le rail de guidage du slot vide.
3. Utilisez les leviers à gauche et à droite de la carte pour la pousser en place et serrez les deux vis imperdables sur la carte en utilisant un tournevis droit.



# Exigences relatives à l'inspection du déballage

## Liste de contrôle

1. Carton du châssis DGS-6604/8
  - Châssis DGS-6604/8 (aucune carte installée)
2. Carton(s) des modules de cartes
  - 1 carte de module de commande (DGS-6600-CM ou DGS-6600-CM II) pour le DGS-6604
  - 1 ou 2 cartes de module de commande (DGS-6600-CM) pour le DGS-6608
  - Des cartes de lignes (nombre spécifique par commande)
  - Des unités d'alimentation (nombre spécifique par commande)
3. Carton des accessoires du DGS-6600 comprenant :
  - Cordon d'alimentation CA
  - Câble de console RS-232 (9 broches D-Sub)
  - Câble de console USB (Type A à Type B)
  - Tiroir de ventilation
  - Filtre à air
  - Logiciel et manuel sur CD
  - Guide d'installation rapide

## Options de gestion

Le système peut être géré hors-bande via le(s) port(s) de console et le port Ethernet du module de commande ou intrabande via Telnet/SSH. Chaque commutateur peut avoir sa propre adresse IP utilisée pour assurer la communication avec un gestionnaire réseau SNMP ou toute autre application TCP/IP (par exemple, BOOTP, TFTP, etc.). L'adresse IP par défaut du commutateur est 10.90.90.90 (adresse IP hors-bande). Vous pouvez modifier l'adresse IP par défaut pour satisfaire aux spécifications de votre schéma d'adressage du réseau.

## Connexion du port de console (USB ou 9 broches D-Sub)

Le commutateur est doté d'une connexion série USB ou 9 broches D-Sub à un ordinateur ou un terminal à des fins de surveillance et de configuration. Pour utiliser le port de console, vous devez disposer des éléments suivants :

- Un terminal ou un ordinateur possédant à la fois un port série de 9 broches ou un port USB et la capacité d'émuler un terminal.
  - Un faux modem ou un câble croisé RS-232 avec un connecteur femelle DB-9 pour le port de console du commutateur.
- ou -
- Un câble USB (avec un connecteur USB de type B pour le port de console USB du commutateur) et le pilote USB Série installé sur l'ordinateur utilisé pour se connecter à la console.



Téléchargez le pilote USB Série ici :

<http://www.prolific.com.tw/eng/downloads.asp?ID=31>

Confirmez que le pilote pour votre système d'exploitation est pour la gamme des puces X-chip.

Pour connecter un terminal au port de console :

1. Branchez le câble fourni doté de l'adaptateur RJ-45/DB-9 au port série à 9 broches du PC. Branchez l'autre extrémité du câble au port de console du commutateur. Configurez le logiciel d'émulation de la façon suivante :
  - Vitesse en bits/s : 115200
  - Bits de données : 8
  - Parité : Aucune
  - Bits d'arrêt : 1
  - Contrôle de flux : Aucun
2. Sélectionnez VT100 comme mode d'émulation de terminal.
3. Une fois que vous avez correctement configuré le terminal, branchez le câble d'alimentation dans les unités d'alimentation du commutateur. La séquence de démarrage apparaît sur le terminal.

4. Appuyez sur Entrée lorsque vous êtes invité à saisir le mot de passe. Il n'y a pas de mot de passe par défaut pour le commutateur.
5. Entrez les commandes nécessaires à l'exécution des tâches souhaitées. De nombreuses commandes requièrent des droits de niveau administrateur. Pour obtenir la liste de toutes les commandes ainsi que des informations complémentaires sur l'utilisation de l'interface de ligne de commande, consultez les références relatives à l'interface de ligne de commande disponibles sur le CD de documentation.

**Gestion Telnet** Vous pouvez également accéder à l'interface de ligne de commande du commutateur à l'aide de l'invite de commandes du PC. Pour y accéder depuis l'ordinateur, commencez par vous assurer qu'une connexion valable est établie entre le port Ethernet du commutateur et le PC, puis sur ce dernier cliquez sur Démarrer > Programmes > Accessoires > Invite de commandes. Dans la fenêtre de la console qui s'ouvre, entrez la commande Telnet 10.90.90.90 (selon l'adresse IP configurée), puis appuyez sur la touche Entrée du clavier. L'écran de la console devrait s'ouvrir pour l'interface de ligne de commande du commutateur ; appuyez sur Entrée lorsque vous êtes invité à saisir le mot de passe. Il n'y a pas de mot de passe par défaut pour le commutateur.

## Gestion SNMP

Vous pouvez gérer le commutateur à l'aide de l'application D-Link D-View ou de tout autre programme de console compatible SNMP. La fonction SNMP est désactivée par défaut sur les commutateurs gérés D-Link.

## Informations supplémentaires

Si vous rencontrez des problèmes pour configurer le réseau, consultez le manuel d'utilisation fourni avec le commutateur. Ce dernier contient beaucoup d'autres règles, graphiques, explications et exemples pour vous aider à mettre en service votre réseau. Une aide supplémentaire est disponible par le biais de nos bureaux énumérés en ligne. Pour en savoir plus sur les produits D-Link ou pour obtenir des informations marketing, visitez le site Web <http://www.dlink.com> qui vous redirigera vers le site Web local approprié de D-Link.

---

## Assistance Technique

---

Assistance technique D-Link sur internet :  
<http://www.dlink.fr>

Assistance technique D-Link par téléphone : 01 76 54 84 17

Du lundi au vendredi de 9h à 19h (hors jours fériés)



## Acerca de esta guía

Esta guía contiene instrucciones paso a paso para configurar el conmutador modular D-Link serie DGS-6600. Tenga en cuenta que el modelo que ha adquirido puede tener un aspecto ligeramente diferente al mostrado en las ilustraciones.

Lea atentamente este manual antes de utilizar el producto, prestando especial atención a las advertencias de seguridad, a fin de evitar lesiones o daños en el equipo.

Este manual está pensado para usuarios con experiencia en la instalación y mantenimiento de hardware de red y asume que los usuarios están familiarizados con los términos y conceptos de conexión en red estándar.

## Descripción general del producto

El conmutador modular serie DGS-6600 de D-Link es un dispositivo de LAN multicapa inteligente y de gran rendimiento, diseñado para instalaciones empresariales y redes en áreas metropolitanas (MAN). Resulta perfecto para entornos en los que se necesitan aplicaciones de red ininterrumpidas y un alto nivel de rendimiento, seguridad y control.

Al incorporar una arquitectura modular flexible y cumplir las normas del sector, este conmutador proporciona una expansión ampliable y un alto nivel de protección de la inversión para empresas y proveedores de telecomunicaciones con el fin de instalar conmutación y enrutamiento Gigabit y paquete de 10 Gigabit para conexión en red de oficinas y servicios domésticos de Internet basados en Ethernet.

DGS-6604 proporciona en total cuatro bahías, incluida una bahía para el módulo CM. DGS-6608 proporciona en total ocho bahías, incluidas dos bahías para redundancia de CM.

## Advertencias



### Advertencia de seguridad sobre la fuente de alimentación

Conecte a tierra el dispositivo antes de encenderlo para protegerlo frente a las subidas de tensión.

Asegúrese de que todos los cables están conectados a tierra correctamente.



### Advertencia sobre protección frente a la electricidad estática

Lleve siempre una muñequera antiestática al tocar el chasis para evitar los daños producidos por la electricidad estática.



### Advertencia de seguridad sobre el láser

PRODUCTO LÁSER CLASE 1

Mirar directamente a la interfaz óptica o a las fibras ópticas puede dañar los ojos.



### Advertencia de seguridad sobre el ventilador

El mecanismo del ventilador es peligroso. Evite tocar la zona próxima al ventilador.



### Advertencia de seguridad sobre el transporte

El dispositivo y los componentes pueden pesar más de 27 kg. en total para el DGS-6604 y hasta 40 kg. en total para el DGS-6608.

Tenga cuidado al insertar o extraer componentes pesados.



### Advertencia sobre el mantenimiento

El mantenimiento sólo deben llevarlo a cabo los técnicos cualificados del servicio técnico

## Preparación para la instalación

Para garantizar un funcionamiento normal y una duración prolongada del conmutador modular serie DGS-6600, se deberá mantener la temperatura y humedad adecuadas en la sala de equipos.

Si la sala de equipos no cumple los requisitos de temperatura y humedad, el equipo puede dañarse.

Temperatura de funcionamiento	Humedad en funcionamiento
0° C-50° C	10%-90% HR sin condensación

Tabla 1. Requisitos de temperatura y humedad



### Notas:

1. La temperatura y humedad del ambiente se deben medir en un punto a 1,5 m por encima del suelo y a 0,4 m por delante del equipo, cuando no existe placa de protección en la parte frontal o trasera del estante del equipo



2. Las condiciones de trabajo a corto plazo se aplican cuando el periodo de trabajo continuo no supera las 48 horas y el periodo de trabajo acumulativo durante el año no supera los 15 días

## Prevención de los daños producidos por descargas estáticas

Para evitar los daños producidos por la electricidad estática, cumpla las directrices siguientes:

1. Asegúrese de instalar una toma de tierra adecuada para todos los equipos electrónicos.
2. Utilice las medidas adecuadas para evitar el polvo.
3. Mantenga la humedad necesaria en el entorno de funcionamiento
4. Lleve siempre una muñequera antiestática cuando trabaje en las proximidades de los circuitos electrónicos.

5. Sujete las placa de circuitos por los bordes. No toque ninguno de los componentes de la placa de circuito impreso.
6. No toque con la ropa la placa de circuitos. Una muñequera antiestática sólo puede evitar la electricidad estática del cuerpo humano, pero no puede mitigar la electricidad estática de la ropa.

## Desplazamiento del dispositivo

El conmutador modular serie DGS-6600 es bastante pesado. Al manejarlo, preste especial atención a las directrices siguientes:

- Evite desplazar el equipo con frecuencia.
- Si considera que no puede aguantar el peso del chasis, no intente levantar solo el equipo.
- Levante y desplace el chasis utilizando las asas del panel superior.
- Apague las fuentes de energía y desenchufe todos los cables de alimentación antes de mover el equipo.
- Afloje completamente los tornillos de presión/ cruceta y tire de las palancas de tarjeta para retirar todas y cada una de las tarjetas de línea, la bandeja del ventilador y los módulos de alimentación del chasis antes de moverlo.

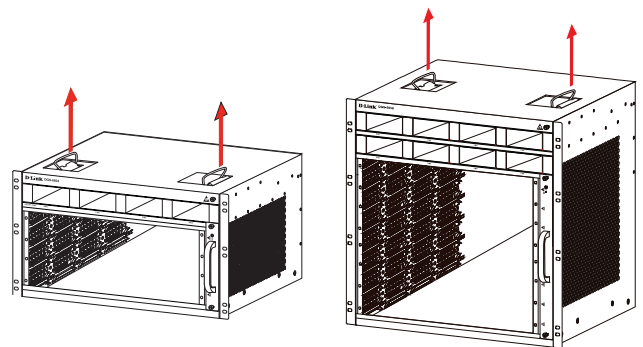


Figura 1. Desplazamiento correcto del conmutador modular serie DGS-6600



No mueva el equipo agarrando los paneles, las asas de la fuente de alimentación o los orificios de ventilación, ya que no están diseñados para soportar pesos.

## Requisitos de conexión a tierra del sistema:

La conexión a tierra adecuada ayudará a garantizar un funcionamiento estable y fiable del conmutador modular serie DGS-6600. Asegúrese de comprobar que las condiciones de conexión a tierra en la instalación cumplen los requisitos de conexión a tierra y conecte correctamente a tierra todos los dispositivos

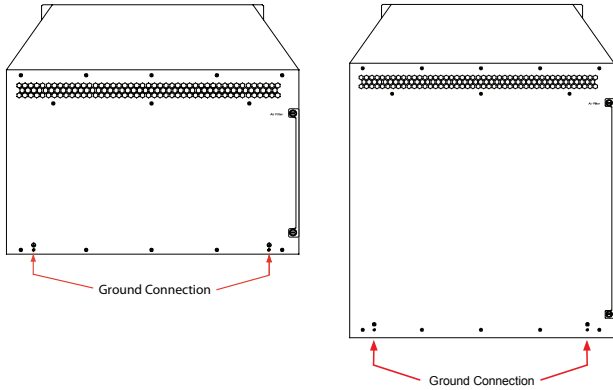


Figura 2. Conexión a tierra de la serie DGS-6600



### Nota:

Todos los conductores de conexión a tierra se deben conectar antes de que se aplique la alimentación de CA a las fuentes de alimentación de CA del conmutador modular serie DGS-6600 instalado.

El conmutador modular serie DGS-6600 con fuentes de alimentación de CA debe conectarse a tierra con un cable de conexión a tierra de conducción de 0,823 mm<sup>2</sup> (o 18 AWG) como mínimo. Este cable se conecta entre la toma de tierra de la sala de equipos y el terminal de conexión a tierra del chasis del serie DGS-6600.

## Requisitos de alimentación

Las cifras de consumo de energía y de disipación de calor de los distintos componentes del conmutador modular serie DGS-6600 aparecen enumeradas en la tabla siguiente:

Módulo serie DGS-6600	Consumo máximo de energía (W)	Disipación de calor (kcal/hora)
DGS-6600-CM	54	184
DGS-6600-48T	110	375
DGS-6600-48S	119	405
DGS-6600-48TS	114	390
DGS-6600-48P	873	2979
DGS-6600-8XG	200	684
DGS-6600-24SC2XS	106	360
Bandeja del ventilador del DGS-6600-FAN	43	144
Fuente de alimentación de CA del DGS-6600-PWR	854 (@110 VCA o 220 V CA)	2913 (@110 VCA o 220 V CA)

Tabla 2. Requisitos de alimentación de la tarjeta



### Nota:

el DGS-6604 proporciona 1+1, 2+1 ó 3+1 fuentes de alimentación de CA redundantes.

Ocho fuentes de alimentación CA como máximo en el DGS-6608 que proporcionan M+N redundante, en el que M está entre 1 y 5 para el modo activo y N está entre 1 y 3 para el modo en espera.

D-Link recomienda la utilización de varias fuentes de alimentación para el equipo, con el fin de garantizar un funcionamiento continuo y estable. Las fuentes de alimentación redundantes ayudan a evitar las caídas de tensión imprevistas. Las fuentes de alimentación redundantes deben ser idénticas.

## Requisitos de las herramientas de instalación

Tipo	Herramientas	Comentarios
Herramientas comunes	Martillo de orejas, alicates	Desembalar la caja de madera y la caja de transporte.
	Destornillador de estrella, destornillador plano, llave inglesa	Desmontar el chasis, la fuente de alimentación, el ventilador y los módulos
	Cables de la fuente de alimentación, cables de red, fibras ópticas y cables de distribución	Conectar las interfaces.
	Regla, cinta métrica larga, rotulador	Medir la posición de la instalación.
	Pernos, tenazas diagonales, flejes	Montar el chasis.
Herramientas para fines especiales	Herramienta antiestática	Evitar la electricidad estática.
	Alicates pelacables, alicates de engarzar	Crear cables de red y cables de conexión a tierra.
Medidor	Multímetro	Probar la fuente de alimentación y la resistencia en CC.
	Megómetro de 500 V	Probar la resistencia de aislamiento y de la conexión a tierra.

Tabla 3. Herramientas necesarias

## Requisitos del lugar de la instalación

El conmutador modular serie DGS-6600 debe utilizarse en interiores. Para garantizar el funcionamiento normal y la duración prolongada del equipo, el lugar de la instalación debe cumplir los requisitos siguientes.

### Requisitos para el montaje en estante

Si tiene previsto montar el DGS-6604/8 en una carcasa, tenga en cuenta las directrices siguientes:

- Instale el conmutador en un bastidor abierto, si es posible. Si instala el conmutador en un bastidor cerrado, asegúrese de que el bastidor dispone de buena ventilación y de un sistema de disipación de calor.
- Asegúrese de que el bastidor es suficientemente resistente como para soportar el peso del DGS-6604/8 y de sus accesorios de instalación.
- Asegúrese de que las dimensiones del bastidor dejan suficiente espacio libre para la instalación de los paneles frontal, trasero, izquierdo y derecho del DGS-6604/8 para la disipación de calor.
- La carcasa debe estar correctamente conectada a tierra.

### Requisitos de ventilación

En la figura siguiente se muestran los requisitos de ventilación del DGS-6604/8. Debe reservar suficiente espacio cerca de los ventiladores para asegurar una ventilación adecuada. Después de conectar los cables, se deben colocar en paquetes o en el estante de cableado, para evitar que obstruyan las entradas de aire y los ventiladores.

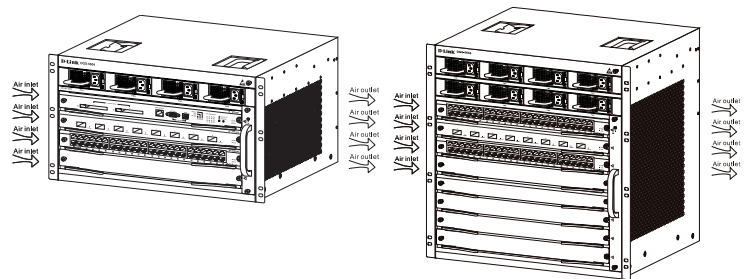


Figura 3. Ventilación del conmutador modular serie DGS-6600

### Montaje del conmutador modular serie DGS-6600 en el bastidor

1. Levante el chasis (busque ayuda si el chasis pesa más de lo que puede levantar de forma segura) mientras lo mantiene nivelado. Desplácelo lentamente hacia la parte frontal de la carcasa.
2. Manteniendo nivelado el DGS-6604/8, levántelo hasta una posición ligeramente más alta que la bandeja del riel de deslizamiento del bastidor. Se recomienda el uso de una bandeja o un riel de deslizamiento al instalar el chasis en el bastidor.



3. Sujete el DGS-6604/8 en el bastidor con tornillos. Las marcas de sujeción están en los laterales izquierdo y derecho del panel frontal de la carcasa del equipo. Utilice tornillos para sujetarlos al soporte del bastidor. Una vez sujeto, el equipo debe estar estable y fijo.

### Instalación de la bandeja del ventilador

La bandeja del ventilador del DGS-6600-FAN se utiliza como sistema de ventilación del serie DGS-6600. La bandeja del ventilador del DGS-6600-FAN-II se utiliza como sistema de ventilación del DGS-6608. Para instalar la bandeja de ventilación, lleve a cabo lo siguiente:

1. Utilice los tornillos de presión para retirar el panel vacío de la bandeja del ventilador.
2. Inserte la bandeja del ventilador en el riel de guía de la ranura de la bandeja del ventilador.
3. Sujete la bandeja del ventilador apretando los tornillos eliminar de la misma.

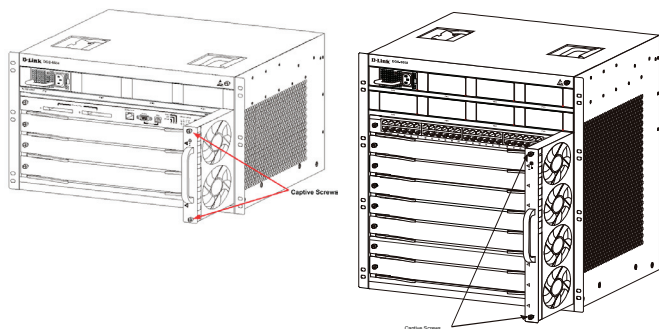


Figura 4. Instalación de la bandeja del ventilador

### Instalación de las fuentes de alimentación

El conmutador serie DGS-6600 se acciona utilizando una fuente de alimentación de CA. El procedimiento para instalar la fuente de alimentación de CA se muestra en el diagrama siguiente:

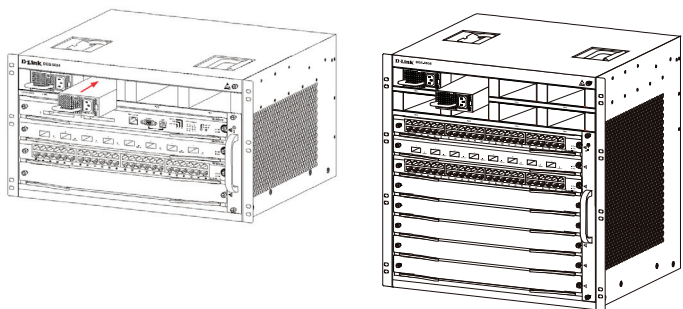


Figura 5. Instalación de la fuente de alimentación

### Conexión de la toma de tierra del sistema

En la parte trasera del DGS-6604/8 está instalada una toma de tierra GND de trabajo. La GND se debe conectar directamente a la barra de toma de tierra de la sala de equipos. Si existe una barra de conexión a tierra digital y una barra de conexión a tierra analógica en la sala de equipos, la GND se debe conectar a la barra digital.

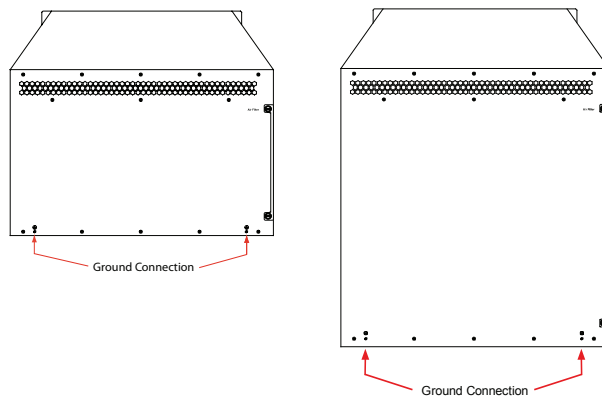


Figura 6. Conexiones a tierra de la parte posterior del conmutador modular serie DGS-6600

El área seccional del cable de conexión a tierra (18 AWG como mínimo) se debe seleccionar para que conduzca de forma segura la máxima corriente posible. Utilice cables aislados con buena conductividad.

- No utilice hilos desnudos.
- La resistencia de toma de tierra para la conexión a tierra combinada debe ser inferior a 1 Ohm ( $\Omega$ ).

### Pasos sencillos para la conexión a tierra

- Afloje la tuerca del poste trasero de conexión a tierra del equipo.
- Una el terminal del cable de conexión a tierra al poste de toma de tierra.
- Vuelva a apretar la tuerca en el poste de conexión a tierra.
- Conecte el otro extremo del cable de toma de tierra a una barra de conexión a tierra adecuada.



## Instalación del filtro de aire del conmutador modular serie DGS-6600

En la parte trasera del chasis, en el borde del lateral derecho, hay una ranura vertical en la que se puede encajar el filtro de aire. Deslice un filtro de aire lavado o nuevo en la ranura, de acuerdo con el diagrama siguiente. A continuación, atornille los dos tornillos de presión/cruceta (vea las flechas del diagrama) para sujetar el filtro de aire en el chasis. Con el filtro de aire instalado, atornille dos tornillos en el lateral del chasis como indican las flechas rojas en el diagrama.

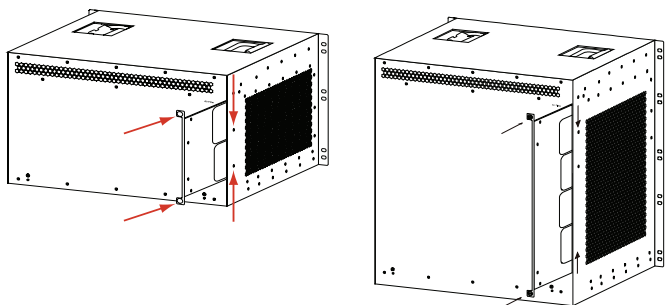


Figura 7. Instalación del filtro de aire



Se recomienda que la instalación del filtro de aire sea el último paso de la instalación del chasis.

## Conexión de la fuente de alimentación de CA al módulo de alimentación

Utilice el cable de alimentación de CA correspondiente para conectarlo al panel del módulo de alimentación de CA, como se indica en el diagrama siguiente:

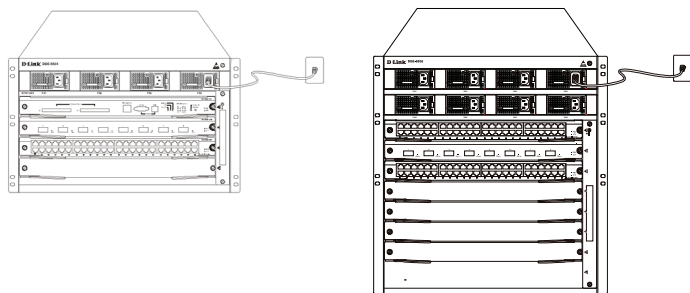


Figura 8. Conexión la alimentación CA al módulo de alimentación

## Precauciones sobre la conexión de la fuente de alimentación de CA

- Compruebe que la fuente de alimentación externa suministrada coincide con el módulo de alimentación instalado en el conmutador

antes de conectar la fuente de alimentación.

- Utilice un cable de alimentación con un conector estándar de 3 pines, para realizar la conexión de alimentación.
- Asegúrese de que los cables de alimentación conectados tienen una buena conexión.
- Una vez que el cable de alimentación está enchufado en la entrada de alimentación y la fuente de alimentación, la fuente de alimentación se iniciará inmediatamente.

## Pasos sencillos para la conexión de la alimentación de CA

1. Inserte el enchufe del cable de alimentación en el módulo de alimentación.
2. Sujete el cable de alimentación a la pinza para cable de la derecha.
3. Conecte el otro extremo del cable de alimentación en la toma o conector correspondiente.

## Conexión del cable serie al módulo de gestión

### Conexión sencilla del cable del módulo de CPU

1. Conecte el conector RJ45 de un cable Ethernet al puerto Ethernet del módulo de gestión del conmutador (DGS-6600-CM) y conecte el otro extremo del cable a cualquier dispositivo preparado para TCP/IP que sea capaz de ejecutar Telnet o SSH.

- o bien -

2. Conecte el extremo DB9 estándar del cable serie al puerto serie RS-232 del módulo de gestión del conmutador y el otro extremo al PC o portátil o al terminal de control.

- o bien -

3. Conecte un cable USB con un conector B estándar USB al receptáculo B estándar en el módulo de gestión del conmutador. Conecte el otro extremo a un ordenador equipado con un puerto USB capaz de admitir una interfaz serie, utilizando el SW del controlador serie USB PL-2303 de Prolific Technology Inc.

## Retirada de placas del conmutador modular serie DGS-6600

Para retirar las placas del conmutador modular serie DGS-6600, lleve a cabo los pasos siguientes:

1. Desenchufe todos los cables de cobre o fibra, es decir los cables de par trenzado RJ45 y de fibra óptica, de la placa que se va a retirar.
2. Afloje y desatornille los tornillos del panel.
3. Utilice ambas manos para tirar de las palancas, en los laterales izquierdo y derecho de la placa, para retirar la placa del conmutador modular serie DGS-6600, como se muestra en el diagrama siguiente.



### Precaución

Antes de retirar o añadir una placa, póngase siempre una muñequera antiestática.

Tenga cuidado de no sujetar la lengüeta dorada de la placa de circuito impreso ni golpee entre sí los componentes de la misma.

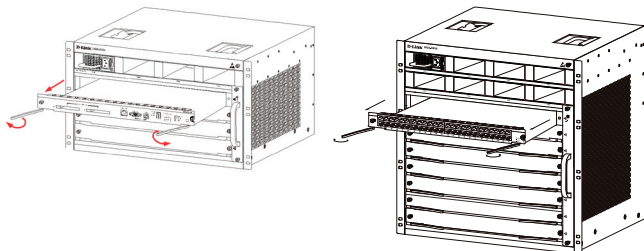


Figura 9. Retirar una placa del chasis

## Instalación de placas en el conmutador modular serie DGS-6600

Para instalar las placas en el conmutador modular serie DGS-6600, lleve a cabo los pasos siguientes:

1. Retire la tarjeta de componentes o el panel vacío como se indica en la sección.
2. Inserte la nueva placa en el riel de guía de la ranura disponible.
3. Utilice las palancas del lateral izquierdo y derecho para empujar la placa en su sitio y apriete los dos tornillos en la placa utilizando un destornillador plano.



### Precaución

1. Tenga cuidado de no sujetar la lengüeta dorada de la placa de circuito impreso ni golpee entre sí los componentes de la misma.
2. Utilice siempre las palancas para enchufar o desenchufar el módulo de placa de circuito impreso. No utilice nunca la fuerza para retirar un módulo de placa de circuito impreso.

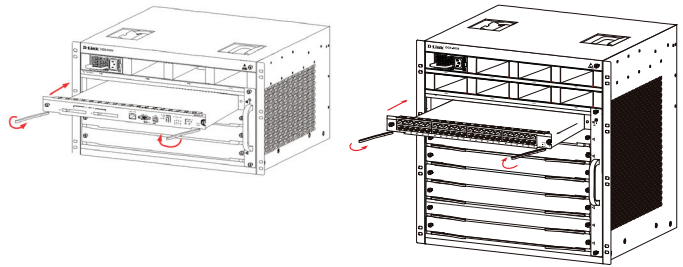


Figura 10. Comprobación de la instalación

## Comprobación de la instalación

Compruebe que la fuente de alimentación de CA externa proporciona la tensión y frecuencia correctas.

Compruebe que el bastidor está completamente sujeto y que no se mueve o inclina.

Compruebe que se han instalado las fuentes de alimentación, los CM y las tarjetas de línea en el chasis.

Compruebe que los cables de fibra óptica y de par trenzado coinciden con las interfaces respectivas.

Compruebe que los cables se han sujetado correctamente y que no están sometidos a ningún esfuerzo excesivo.

Compruebe que los cables de alimentación están en buen estado y cumplen los requisitos de seguridad.

Compruebe que el módulo de alimentación se ha instalado firmemente en el conector del panel posterior.

Encienda el interruptor de alimentación y compruebe que el módulo de alimentación funciona correctamente.

# Requisitos para la inspección al desembalar

## Lista de comprobación

1. Caja del chasis DGS-6604/8
  - Chasis DGS-6604/8 (sin tarjetas instaladas)
2. Cajas del módulo de tarjetas
  - 1 tarjeta CM (DGS-6600-CM o DGS-6600-CM II) para el DGS-6604
  - 1 o 2 tarjetas CM (DGS-6600-CM-II) para el DGS-6608
  - Tarjetas de línea (específicas para cada pedido)
  - Unidades de suministros de alimentación (número específico para cada pedido)
3. Caja de accesorios del conmutador serie DGS-6600, que incluye:
  - Cable de alimentación de CA
  - Cable de consola RS-232 (D-Sub de 9 pines)
  - Cable de consola USB (tipo A a tipo B)
  - Bandeja del ventilador
  - Filtro de aire
  - CD con el software y el manual
  - Guía de instalación rápida

## Opciones de gestión

El sistema se puede gestionar fuera de banda a través de los puertos de la consola y el puerto Ethernet en el módulo de control o dentro de banda utilizando Telnet/SSH. Se debe asignar a cada conmutador su propia dirección IP, que se utiliza para la comunicación con un gestor de red SNMP u otra aplicación TCP/IP (por ejemplo, BOOTP, TFTP). La dirección IP predeterminada del conmutador es 10.90.90.90 (dirección IP fuera de banda). El usuario puede cambiar la dirección IP predeterminada para que cumpla las especificaciones de su esquema de dirección de conexión en red.

### Conexión del puerto de la consola (USB o D-Sub de 9 pines)

El conmutador proporciona una conexión serie USB o D-Sub de 9 pines a un ordenador o terminal para la monitorización y configuración. Para utilizar el puerto de la consola, necesita el equipo siguiente:

- Un terminal o un ordenador con un puerto serie de 9 pines/USB y capacidad para emular un terminal.
  - Un módem nulo o cable de cruce RS-232 con conector DB-9 hembra para el puerto de la consola del conmutador.
- o bien -
- Un cable USB (con un conector USB tipo B para el puerto USB de la consola del conmutador) y el controlador USB de serie instalado en el ordenador utilizado para conectar a la consola.



Descargue el controlador USB de serie aquí:

<http://www.prolific.com.tw/eng/downloads.asp?ID=31>

Confirme que el controlador para su sistema operativo es para la serie del chip X.

Para conectar un terminal al puerto de la consola

1. Conecte el cable adaptador de RJ-45 a DB-9 al puerto serie estándar de 9 pines en el PC. Conecte el otro extremo del cable al puerto de la consola en el conmutador. Configure el software de emulación de terminal del modo siguiente:
  - Frecuencia de baudios: 115200
  - Bits de datos: 8
  - Paridad: Ninguna
  - Bits de parada: 1
  - Control de flujo: Ninguna
2. Seleccione VT100 para el modo de emulación del terminal.
3. Después de configurar correctamente el terminal, enchufe el cable de alimentación en las tomas de alimentación del conmutador.

En el terminal aparecerá la secuencia de arranque.

4. Pulse la tecla Intro en los avisos de contraseña. No existe contraseña predeterminada para el conmutador.
5. Introduzca los comandos para completar las tareas que desee. Numerosos comandos necesitan privilegios de acceso a nivel de administrador. Consulte la Guía de referencia CLI en el CD de la documentación para obtener una lista de todos los comandos e información adicional sobre la utilización de CLI.

**Gestión de Telnet** Los usuarios pueden acceder también al CLI del conmutador utilizando el símbolo del sistema del PC. Para acceder al mismo desde el ordenador, los usuarios deben asegurarse en primer lugar de que se ha establecido una conexión válida a través del puerto Ethernet del conmutador y el PC y, a continuación, hacer clic en Inicio > Programas > Accesorios > Símbolo del sistema en su ordenador. Una vez abierta la ventana de la consola, introduzca el comando telnet 10.90.90.90 (en función de la dirección IP configurada) y pulse Intro en el teclado. El sistema le dirigirá a la pantalla abierta de la consola para el CLI del conmutador; pulse la tecla Intro en los avisos de contraseña. No existe contraseña predeterminada para el conmutador.

## Gestión basada en SNMP

Puede gestionar el conmutador con D-Link D-View o cualquier programa de consola compatible con SNMP. La función SNMP se desactiva de forma predeterminada para los conmutadores gestionados por D-Link.

## Información adicional

Si tiene problemas al configurar la red, consulte la Guía del usuario suministrada con el conmutador. Contiene muchas más reglas, gráficos, explicaciones y ejemplos para ayudarle a poner en funcionamiento su red. Existe ayuda adicional disponible a través de nuestras oficinas, que aparecen enumeradas en línea. Para obtener más información acerca de los productos D-Link o su comercialización, visite el sitio web <http://www.dlink.com>, que le redirigirá al sitio web local de D-Link correspondiente.

---

## Asistencia Técnica

---

<http://www.dlink.es>

Asistencia Técnica Telefónica de D-Link:

+34 902 30 45 45 0,067 €/min

De Lunes a Viernes de 9:00 a 19:00

## Informazioni sulla guida

La presente guida contiene le istruzioni passo passo necessarie per l'installazione dello chassis switch della serie D-Link DGS-6600. Notare che il modello acquistato potrebbe essere leggermente diverso da quello raffigurato nelle illustrazioni.

Prima di utilizzare il prodotto leggere attentamente il presente manuale, ponendo particolare attenzione agli avvisi di sicurezza in modo da evitare lesioni o danni al dispositivo.

Il presente manuale è destinato a utenti con esperienza nell'installazione e nella manutenzione di hardware di rete e a conoscenza dei termini e dei concetti standard relativi alle reti.

## Panoramica sul prodotto

Lo chassis switch della serie D-Link DGS-6600 è un dispositivo LAN multistrato, intelligente e ad alte prestazioni, progettato per la gestione di reti in aree aziendali e metropolitane (MAN). È ideale per l'installazione in ambienti che richiedono applicazioni di rete ininterrotte e un alto livello di prestazioni, sicurezza e controllo.

Caratterizzato da un'architettura modulare flessibile e conforme agli standard del settore, lo switch offre scalabilità di espansione ed un alto livello di protezione dell'investimento per aziende e fornitori di portanti per telecomunicazioni per switching e routing di pacchetti Gigabit e 10-Gigabit per reti di aziende e uffici e servizi Internet su rete Ethernet per abitazioni.

Lo switch DGS-6604 offre in totale quattro slot, incluso uno per il modulo CM. Lo switch DGS-6608 offre in totale otto slot, inclusi due per la ridondanza CM.

## Avvisi



### Avviso di sicurezza relativo all'alimentazione

Prima di accendere il dispositivo, realizzare un'adeguata messa a terra per proteggerlo da sovratensioni momentanee dell'alimentazione.

Verificare che tutti i cavi abbiano un corretto collegamento di messa a terra.



### Avviso di protezione per scariche elettrostatiche

Per toccare lo chassis, indossare sempre una fascetta antistatica da polso per prevenire i danni causati dalle scariche elettrostatiche.



### Avviso di sicurezza relativo al laser

PRODOTTO LASER DI CLASSE 1

L'osservazione diretta dell'interfaccia ottica o delle fibre ottiche può causare lesioni agli occhi.



### Avviso di sicurezza relativo alla ventola

Il meccanismo della ventola è pericoloso. Evitare di toccare l'area vicino alla ventola.



### Avviso di sicurezza relativo al trasporto

Il dispositivo e i componenti possono pesare più di 27 kg in totale per lo switch DGS-6604 e fino a 40 kg in totale per lo switch DGS-6608.

Prestare attenzione durante l'inserimento o la rimozione dei componenti pesanti.



### Avviso relativo alla manutenzione

Gli interventi di manutenzione devono essere effettuati esclusivamente da tecnici qualificati addetti all'assistenza.



## Preparazione per l'installazione

Per garantire il normale funzionamento e una vita utile prolungata dello chassis switch della serie D-Link DGS-6600, è necessario che l'ambiente d'installazione del dispositivo sia mantenuto a livelli di umidità e di temperatura adeguati.

In presenza di livelli di umidità e temperatura non conformi ai requisiti nell'ambiente d'installazione, il dispositivo potrebbe subire danni.

Temperatura in funzione	Umidità in funzione
0-50 °C	Da 10 a 90% di UR senza condensa

Tabella 1. Requisiti di temperatura e umidità



### Note:

1. La temperatura e l'umidità presenti nell'ambiente devono essere misurate a una distanza di 1,5 m sopra il pavimento e di 0,4 m davanti al dispositivo, in assenza di pannelli protettivi posti nella parte anteriore o posteriore del rack del dispositivo.



2. Le condizioni di funzionamento a breve termine si applicano laddove il periodo di funzionamento continuato non supera le 48 ore e il periodo totale cumulativo entro un anno non supera i 15 giorni.

## Prevenzione dei danni causati da scariche elettrostatiche

Per evitare danni dovuti alle scariche elettrostatiche, osservare le seguenti linee guida:

1. Verificare che per tutti i dispositivi elettronici sia installato un adeguato collegamento di messa a terra.
2. Utilizzare adeguate misure di protezione dalla polvere.
3. Mantenere il livello di umidità richiesto nell'ambiente operativo.
4. Lavorando intorno alla circuiteria elettronica, indossare sempre una fascetta antistatica da polso.
5. Maneggiare la scheda dei circuiti tenendola per i bordi. Non toccare alcun componente sulla scheda PCB.

6. Evitare che gli indumenti entrino in contatto con una scheda dei circuiti. Una fascetta antistatica da polso può prevenire soltanto le scariche elettrostatiche provenienti dal corpo umano, ma non può attenuare quelle provenienti dagli indumenti.

## Spostamento del dispositivo

Lo chassis switch della serie DGS-6600 è abbastanza pesante. Nel movimentare tale dispositivo, porre particolare attenzione alle seguenti linee guida:

- Evitare di spostare frequentemente il dispositivo.
- Se il peso dello chassis è eccessivo, non tentare di sollevare l'apparecchio da soli.
- Per sollevare e spostare lo chassis, utilizzare le apposite maniglie sul pannello superiore.
- Prima di spostare il dispositivo disattivare tutte le fonti di alimentazione e disinserire tutti i cavi di alimentazione.
- Allentare completamente le viti Phillips e tirare le leve della scheda per rimuoverle singolarmente tutte le schede di linea, il modulo delle ventole e i moduli di alimentazione dallo chassis prima di spostarlo.

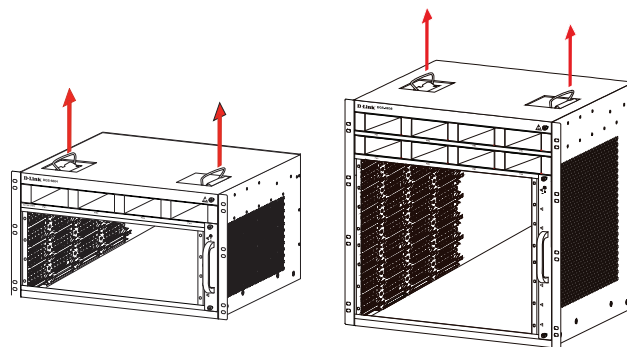


Figura 1. Corretta modalità di spostamento dello chassis switch della serie DGS-6600



Non spostare il dispositivo afferrando i pannelli, le maniglie dell'alimentatore o le aperture di ventilazione, poiché tali elementi non sono stati progettati per sostenerne il peso.

## Requisiti per la messa a terra del sistema:

L'utilizzo di un sistema di messa a terra adeguato assicura una maggior stabilità e affidabilità dello chassis switch della serie DGS-6600. Verificare che le condizioni di messa a terra dell'impianto soddisfino i relativi requisiti ed effettuare la messa a terra di tutti i dispositivi in modo appropriato

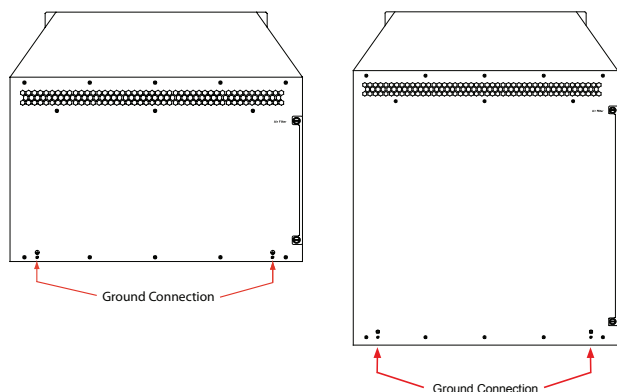


Figura 2. Messa a terra dello switch della serie DGS-6600



### Nota:

Tutti i conduttori di messa a terra devono essere collegati prima di alimentare gli alimentatori CA installati nello chassis switch della serie DGS-6600.

Lo chassis switch della serie DGS-6600 con alimentatori CA devono essere dotati di conduttore di collegamento a terra con sezione minima di 0,823 mm<sup>2</sup> (o 18 AWG). Questo cavo deve essere collegato tra la messa a terra del locale di installazione del dispositivo e il terminale di messa a terra dello chassis della serie DGS-6600.

## Requisiti di alimentazione

Nella tabella seguente sono elencati i valori relativi al consumo energetico e alla dispersione del calore dei diversi componenti dello chassis switch della serie DGS-6600:

Modulo serie DGS-6600	Massimo consumo energetico (W)	Dispersione del calore (BTU/ora)
DGS-6600-CM	54	184
DGS-6600-48T	110	375
DGS-6600-48S	119	405
DGS-6600-48TS	114	390
DGS-6600-48P	873	2979
DGS-6600-8XG	200	684
DGS-6600-24SC2XS	106	360
Modulo delle ventole del dispositivo DGS-6600-FAN	43	144
Alimentatore CA del dispositivo DGS-6600-PWR	854 (a 110 VCA o 220 VCA)	2913 (a 110 VCA o 220 VCA)

Tabella 2. Requisiti di alimentazione della scheda



### Nota:

Il dispositivo DGS-6604 include alimentatori CA ridondanti 1+1, 2+1 o 3+1.

Nello switch DGS-6608 sono installati al massimo otto alimentatori CA che garantiscono la ridondanza M+N: M è compreso tra 1 e 5 per lo stato attivo, mentre N è compreso tra 1 e 3 per lo standby.

D-Link consiglia l'uso di più alimentatori per il dispositivo, in modo da garantire un funzionamento continuo e stabile. Un'alimentazione ridondante aiuta a prevenire improvvise interruzioni di alimentazione. Gli alimentatori ridondanti devono essere identici.

## Requisiti per utensili e strumenti per l'installazione

Tipo	Strumenti	Note
Utensili comuni	Martello a penna divisa, pinze	Disimballaggio della cassa di legno e della cassa di spedizione
	Cacciavite Phillips, cacciavite a taglio, chiave a settore	Smontaggio di chassis, alimentatore, ventola e moduli
	Cavi di alimentazione, cavi di rete, fibre ottiche e cavi di distribuzione	Connessione dell'interfaccia
	Riga, metro a nastro, evidenziatore	Misurazione della posizione di installazione
	Bulloni, pinze diagonali, staffe	Montaggio dello chassis
Utensili speciali	Utensile antistatico	Prevenzione dell'elettricità statica
	Pinza spellafili, pinze per crimpare	Creazione di cavi di rete e di messa a terra
Strumenti misuratori	Multimetro	Misurazione della tensione di alimentazione e della resistenza in CC
	Megohmetro da 500 V	Misurazione della resistenza di isolamento e di messa a terra

Tabella 3. Utensili necessari

## Requisiti del locale di installazione

Lo chassis switch della serie DGS-6600 deve essere utilizzato all'interno. Per garantire il normale funzionamento e una vita utile prolungata del dispositivo, il sito di installazione deve soddisfare i seguenti requisiti.

### Requisiti per il montaggio in rack

Se si desidera installare il dispositivo DGS-6604/8 in una struttura a rack, osservare le seguenti linee guida:

- Se possibile, installare lo switch all'interno di un armadio aperto. Se lo switch è installato all'interno di un armadio chiuso, verificare che l'armadio sia dotato di un adeguato sistema di ventilazione e di dispersione del calore.
- Verificare che l'armadio sia sufficientemente solido per sostenere il peso del dispositivo DGS-6604/8 e dei relativi accessori di installazione.
- Verificare che le dimensioni dell'armadio forniscano spazio sufficiente per l'installazione dei pannelli anteriore, posteriore, sinistro e destro del dispositivo DGS-6604/8, per la dispersione del calore.
- Il telaio deve essere dotato di adeguato collegamento di messa a terra.

### Requisiti di ventilazione

L'illustrazione seguente mostra i requisiti di ventilazione del dispositivo DGS-6604/8. Per garantire una corretta ventilazione, è necessario lasciare uno spazio sufficiente vicino alle aperture di sfogo. Per impedire l'ostruzione delle prese d'aria e delle aperture di sfogo, dopo aver collegato i cavi disporli in fasci o collocarli nel rack di cablaggio.

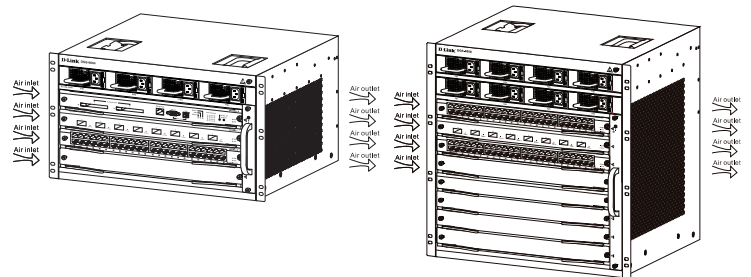


Figura 3. Ventilazione dello chassis switch della serie DGS-6600

### Montaggio dello chassis switch della serie DGS-6600 nell'armadio

1. Sollevare lo chassis mantenendolo orizzontale e richiedendo l'aiuto di un'altra persona se il peso è eccessivo. Spostarlo lentamente verso la parte anteriore della struttura a rack.
2. Mantenendo il dispositivo DGS-6604/8 orizzontale, sollevarlo in una posizione leggermente più alta rispetto al piano o alle guide scorrevoli dell'armadio. Per facilitare l'installazione dello chassis nel rack si consiglia di utilizzare un piano o guide scorrevoli.

3. Fissare il dispositivo DGS-6604/8 all'armadio con le viti. Le tacche di fissaggio sono posizionate sia sul lato sinistro che sul lato destro del pannello frontale sul telaio del dispositivo. Utilizzare le viti per fissarlo al supporto dell'armadio. Una volta fissato, il dispositivo deve risultare ben stabile.

### Installazione del modulo delle ventole

Il modulo delle ventole DGS-6600-FAN funge da sistema di ventilazione della serie DGS-6600. Il modulo delle ventole DGS-6600-FAN-II funge da sistema di ventilazione del dispositivo DGS-6608. Per installare il modulo delle ventole, eseguire le seguenti operazioni:

1. Con il cacciavite rimuovere il pannello vuoto del modulo delle ventole.
2. Inserire il modulo nel binario di guida dello slot del modulo.
3. Fissare il modulo serrando le apposite viti imperdibili.

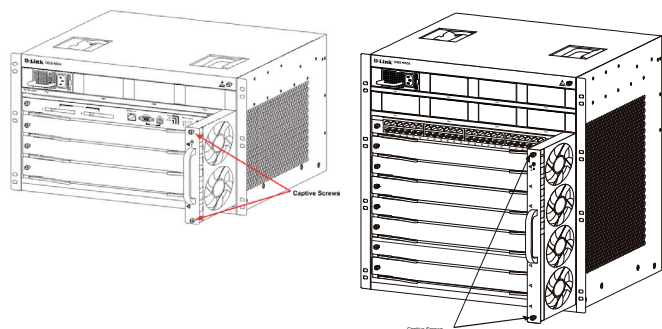


Figura 4. Installazione del modulo delle ventole

### Installazione dell'alimentatore

Lo switch della serie DGS-6600 è alimentato da un alimentatore CA. Nel diagramma seguente è illustrata la procedura per l'installazione dell'alimentatore CA:

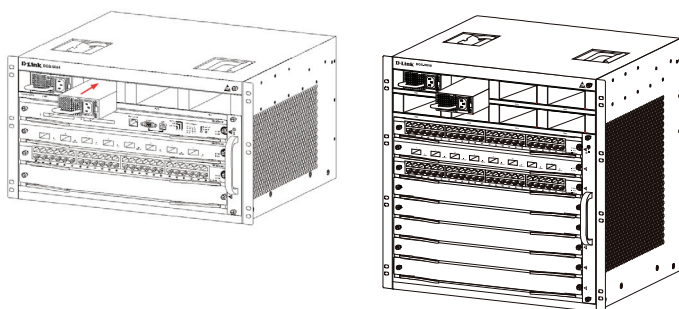


Figura 5. Installazione dell'alimentatore

### Collegamento a terra del sistema

Sul retro del dispositivo DGS-6604/8 è presente una connessione di messa a terra di lavoro (GND). La connessione GND deve essere collegata direttamente alla linea di terra del locale di installazione del dispositivo. Se nel locale di installazione del dispositivo esistono sia una linea di messa a terra digitale sia una linea di messa a terra analogica, la connessione GND deve essere collegata alla linea digitale.

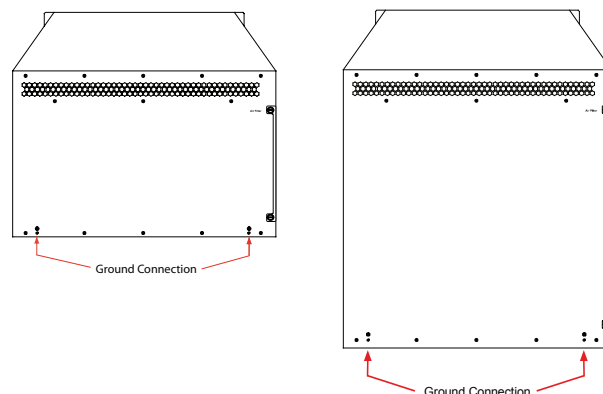


Figura 6. Connessioni di messa a terra sul retro dello chassis switch della serie DGS-6600

La sezione del cavo di messa a terra (minimo 18 AWG) deve essere scelta in base alla corrente massima possibile. Utilizzare cavi isolati dotati di ottima conduttività.

- Non utilizzare cavi scoperti.
- La resistenza per la messa a terra combinata deve essere inferiore a 1 Ohm ( $\Omega$ ).

### Fasi di messa a terra semplice

- Allentare il dado sul terminale di messa a terra posteriore del dispositivo.
- Collegare l'estremità del cavo di messa a terra al terminale di messa a terra.
- Stringere il dado sul terminale di messa a terra.
- Collegare l'altra estremità del cavo di messa a terra a una linea di messa a terra appropriata.



## Installazione del filtro dell'aria dello chassis switch della serie DGS-6600

Sul bordo del lato destro del retro dello chassis è presente uno slot verticale in cui è possibile inserire il filtro dell'aria. Inserire un filtro dell'aria nuovo o pulito nello slot come illustrato nel diagramma seguente. Serrare quindi le due viti Phillips (vedere le frecce nel diagramma) per fissare il filtro dell'aria nello chassis. Dopo aver installato il filtro dell'aria, serrare due viti sul lato dello chassis come indicato dalle frecce rosse nel diagramma.

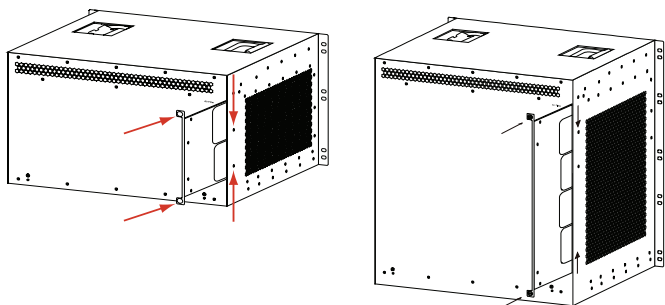


Figura 7. Installazione del filtro dell'aria



Come ultima fase dell'installazione dello chassis si raccomanda l'installazione del filtro dell'aria.

## Connessione dell'alimentazione CA al modulo di alimentazione

Utilizzare il relativo cavo di alimentazione CA per collegare il pannello del modulo di alimentazione CA, come indicato nel seguente diagramma:

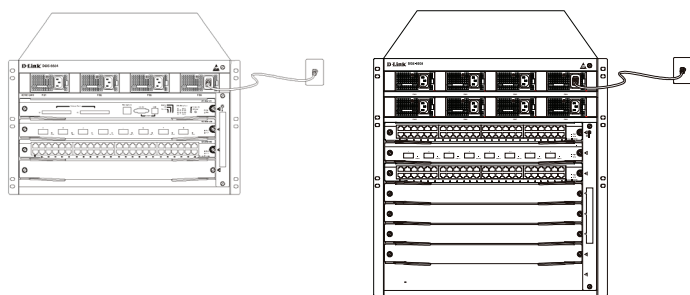


Figura 8. Collegamento dell'alimentatore CA al modulo di alimentazione

## Precauzione relativa al collegamento dell'alimentatore CA

- Prima di collegare l'alimentatore, verificare che l'alimentatore esterno fornito corrisponda al modulo di alimentazione installato nello switch.

- Per il collegamento utilizzare un cavo di alimentazione con connettore standard a 3 pin.
- Verificare che i contatti dei cavi di alimentazione collegati siano adeguati.
- Una volta collegato il cavo di alimentazione alla presa elettrica e all'alimentatore, quest'ultimo si accenderà automaticamente.

## Procedura semplificata per il collegamento dell'alimentatore CA

1. Inserire il connettore del cavo di alimentazione nel modulo di alimentazione.
2. Fissare il cavo di alimentazione al clip per cavo sulla destra.
3. Collegare l'altra estremità del cavo di alimentazione alla presa o al connettore corrispondente.

## Collegamento del cavo seriale del modulo di gestione

### Procedura semplificata per il collegamento del cavo del modulo CPU

1. Collegare un'estremità del connettore RJ45 di un cavo Ethernet alla porta Ethernet del modulo di gestione dello switch (DGS-6600-CM) e l'altra estremità del cavo a qualsiasi dispositivo che supporta TCP/IP e in grado di eseguire Telnet o SSH.

oppure

2. Collegare l'estremità DB9 standard del cavo seriale alla porta seriale RS-232 del modulo di gestione dello switch e l'altra estremità al PC/notebook o al terminale di controllo.

oppure

3. Collegare un'estremità del cavo USB con connettore B USB standard alla presa B standard del modulo di gestione dello switch. Collegare l'altra estremità a un computer dotato di porta USB e in grado di supportare un'interfaccia seriale utilizzando il software del driver seriale USB PL-2303 di Prolific Technology Inc.



## Rimozione delle schede dallo chassis switch della serie DGS-6600

Eeguire le seguenti operazioni per rimuovere le schede dallo chassis switch della serie DGS-6600:

1. Scollegare tutti i cavi in rame/fibra ottica, ad esempio i cavi a doppino intrecciato RJ45 e i cavi in fibra ottica, dalla scheda da rimuovere.
2. Allentare e svitare le due viti imperdibili del pannello.
3. Con entrambe le mani tirare le leve sui lati sinistro e destro della scheda per staccarla dallo chassis switch della serie DGS-6600, come illustrato nel seguente diagramma.



### Attenzione

Prima di rimuovere/aggiungere una scheda, indossare sempre una fascetta antistatica da polso.

Prestare attenzione a non tenere la scheda PCB per i contatti dorati e non urtare i componenti sulla scheda PCB.

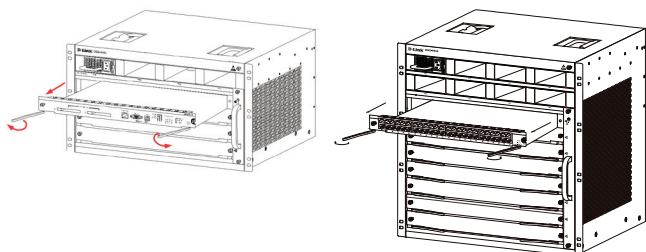


Figura 9. Rimozione di una scheda dallo chassis

## Installazione delle schede nello chassis switch della serie DGS-6600

Eeguire le seguenti operazioni per installare schede nello chassis switch della serie DGS-6600:

1. Rimuovere la scheda del componente o il pannello vuoto, come descritto nella sezione.
2. Inserire la nuova scheda nel binario di guida dello slot vuoto.
3. Utilizzare le leve sul lato sinistro e destro per spingere la scheda in posizione e serrare le due viti imperdibili sulla scheda con un cacciavite a taglio.



### Attenzione

1. Prestare attenzione a non tenere la scheda PCB per i contatti dorati e non urtare i componenti sulla scheda PCB.
2. Utilizzare sempre le leve per collegare/scollegare un modulo PCB. Non forzare mai per rimuovere un modulo PCB.

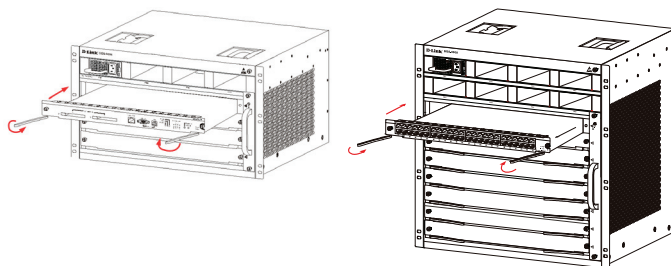


Figura 10. Controlli relativi all'installazione

### Controlli relativi all'installazione

Verificare che l'alimentatore CA esterno fornisca la tensione e la frequenza corrette.

Verificare che l'armadio sia stato fissato completamente, che non si muova o si inclini.

Verificare che gli alimentatori, le schede CM e di linea siano stati installati nello chassis.

Verificare che le fibre ottiche e i cavi a doppino intrecciato corrispondano alle rispettive interfacce.

Verificare che tutti i cavi siano stati legati fra loro adeguatamente e non siano sottoposti a stress eccessivo.

Verificare che i cavi di alimentazione siano in buone condizioni e conformi ai requisiti di sicurezza.

Verificare che il modulo di alimentazione sia stato correttamente installato nel connettore del pannello posteriore.

Attivare l'interruttore di alimentazione e verificare che il modulo di alimentazione funzioni correttamente.

## Requisiti per l'ispezione successiva al disimballaggio

## Lista di controllo

1. Imballaggio dello chassis DGS-6604/8
  - Chassis DGS-6604/8 (nessuna scheda installata)
2. Imballaggi dei moduli per schede
  - 1 scheda CM (DGS-6600-CM o DGS-6600-CM II) per DGS-6604
  - 1 o 2 schede CM (DGS-6600-CM-II) per DGS-6608
  - Schede di linea (specifiche in base all'ordine)
  - Alimentatori (numero specifico in base all'ordine)
3. Imballaggio degli accessori per lo switch della serie DGS-6600 tra cui:
  - Cavo di alimentazione CA
  - Cavo per connessione tramite console RS-232 (D-Sub 9 pin)
  - Cavo per connessione tramite console USB (da Tipo A a Tipo B)
  - Modulo delle ventole
  - Filtro dell'aria
  - Software e manuale su CD
  - Guida di installazione rapida

## Opzioni di gestione

Il sistema può essere gestito sia fuori banda, mediante le porte per console e la porta Ethernet presenti sul modulo di controllo, sia in banda utilizzando Telnet. Ciascun switch deve avere assegnato il proprio indirizzo IP, utilizzato per la comunicazione con un gestore di rete SNMP o con altra applicazione TCP/IP, ad esempio BOOTP o TFTP. L'indirizzo IP predefinito dello switch è 10.90.90.90 (indirizzo IP fuori banda). L'utente può cambiare l'indirizzo IP predefinito per soddisfare le specifiche del proprio schema di indirizzi di rete.

### Connessione della porta per console (USB o D-Sub 9 pin)

Lo switch fornisce una connessione seriale USB o D-Sub 9 pin a un computer o terminale per il monitoraggio e la configurazione. Per utilizzare tale porta, è necessario quanto segue:

- Terminale o computer dotato di porta USB/seriale a 9 pin e della funzione per

l'emulazione di terminale.

- Un cavo RS-232 null-modem o crossover con connettore femmina DB-9 per la porta per console sullo switch.

oppure

- Cavo USB (con connettore USB di Tipo B per la porta per console USB sullo switch) e il driver USB seriale installato nel computer utilizzato per il collegamento alla console.



Scaricare il driver seriale USB al seguente indirizzo:

<http://www.prolific.com.tw/eng/downloads.asp?ID=31>

Verificare che il driver per il sistema operativo in uso è quello per la serie con chip X.

Per collegare un terminale alla porta per console

1. Collegare un'estremità del cavo adattatore da RJ-45-a DB-9 in dotazione alla porta seriale standard a 9 pin presente sul PC. Collegare l'altra estremità del cavo alla porta per console presente sullo switch. Configurare il software di emulazione terminale nel modo seguente:
  - Velocità in baud: 115200
  - Bit di dati: 8
  - Parità: nessuna
  - Bit di stop: 1
  - Controllo del flusso: nessuno
2. Selezionare VT100 per la modalità di emulazione di terminale.
3. Una volta configurato correttamente il terminale, inserire il cavo di alimentazione nella presa di alimentazione posta sul retro dello switch. Sul terminale compare la sequenza di avvio.
4. Alla richiesta della password premere il tasto Invio. Per lo switch non esiste alcuna password predefinita.
5. Per completare le operazioni desiderate immettere i comandi. Molti comandi richiedono i diritti di accesso di livello amministratore.

Consultare la Guida di riferimento CLI (Interfaccia della riga di comando) sul CD di documentazione per un elenco di tutti i comandi e per ulteriori informazioni sull'uso della CLI.

**Gestione Telnet** Gli utenti possono accedere alla CLI (Interfaccia della riga di comando) utilizzando il prompt dei comandi del PC. Per accedervi dal proprio computer, gli utenti devono prima verificare che esista una connessione valida tra la porta Ethernet dello switch e il PC, quindi fare clic su Start > Programmi > Accessori > Prompt dei comandi sul computer. All'apertura della finestra relativa alla console, inserire il comando telnet 10.90.90.90 (a seconda dell'indirizzo IP configurato) e premere Invio sulla tastiera. A questo punto comparirà la schermata della console per la CLI (Interfaccia della riga di comando) dello switch; premere Invio alla richiesta di password. Per lo switch non esiste alcuna password predefinita.

## Gestione basata su SNMP

È possibile gestire lo switch tramite D-Link D-View o qualsiasi altro programma per console compatibile SNMP. Per gli switch gestiti mediante D-Link, la funzione SNMP è disabilitata per impostazione predefinita.

## Ulteriori informazioni

In caso di problemi di configurazione della rete, fare riferimento alla Guida per l'utente fornita con questo switch. La Guida contiene molte altre regole, diagrammi, spiegazioni ed esempi per rendere la rete perfettamente operativa. Un ulteriore aiuto è disponibile contattando i nostri uffici elencati su Internet. Per maggiori informazioni sui prodotti D-Link o per informazioni commerciali, visitare il sito Web <http://www.dlink.com>, che indirizzerà l'utente al sito Web D-Link locale appropriato.

---

## Supporto Tecnico

---

<http://www.dlink.it/support>  
Supporto Tecnico dal lunedì al venerdì dalle ore 9.00 alle ore 19.00 con orario continuato  
Telefono: 02 87366396

## FCC Warning

This equipment has been tested and found to comply with the limits for a Class A digital device, pursuant to Part 15 of the FCC Rules. These limits are designed to provide reasonable protection against harmful interference when the equipment is operated in a commercial environment. This equipment generates, uses, and can radiate radio frequency energy and, if not installed and used in accordance with this manual, may cause harmful interference to radio communications. Operation of this equipment in a residential area is likely to cause harmful interference in which case the user will be required to correct the interference at his own expense.

## CE Mark Warning

This is a Class A product. In a domestic environment, this product may cause radio interference in which case the user may be required to take adequate measures.

## Warnung!

Dies ist ein Produkt der Klasse A. Im Wohnbereich kann dieses Produkt Funkstörungen verursachen. In diesem Fall kann vom Benutzer verlangt werden, angemessene Massnahmen zu ergreifen.

## Precaución!

Este es un producto de Clase A. En un entorno doméstico, puede causar interferencias de radio, en cuyo caso, puede requerirse al usuario para que adopte las medidas adecuadas.

## Attention!

Ceci est un produit de classe A. Dans un environnement domestique, ce produit pourrait causer des interférences radio, auquel cas l'utilisateur devrait prendre les mesures adéquates.

## Attenzione!

Il presente prodotto appartiene alla classe A. Se utilizzato in ambiente domestico il prodotto può causare interferenze radio, nel cui caso è possibile che l'utente debba assumere provvedimenti adeguati.

## VCCI Warning

この装置は、クラスA情報技術装置です。この装置を家庭環境で使用すると電波妨害を引き起こすことがあります。この場合には使用者が適切な対策を講ずるよう要求されることがあります。VCCI-A

## 警告使用者：

這是甲類的資訊產品，在居住的環境中使用時，可能會造成射頻干擾，在這種情況下，使用者會被要求採取某些適當的對策。



仅适用于海拔2000米以下地区安全使用

## SFP (Mini-GBIC), XENPAK, and XFP Regulatory Compliance

Networks pluggable optical modules meet the following regulatory requirements:

- Class 1 Laser Product
- EN60825-1+A2:2001 or later, European laser standard
- FCC 21 CFR Chapter 1, Subchapter J in accordance with FDA & CDRH requirements

## Warranty Information

The D-Link Limited Lifetime Warranty information is available at <http://warranty.dlink.com/>

## SAFETY INSTRUCTIONS

Please adhere to the following safety guidelines to help ensure your own personal safety and protect your system from potential damage. Any acts taken that are inconsistent with ordinary use of the product, including improper testing, etc., and those not expressly approved by D-Link may result in the loss of product warranty.

Unless expressly approved by an authorized representative of D-Link in writing, you may not and may not permit others to:

- Disassemble or reverse engineer the device or attempt to derive source code (underlying ideas, algorithms, or structure) from the device or from any other information provided by D-Link, except to the extent that this restriction is expressly prohibited by local law.
- Modify or alter the device.
- Remove from the device any product identification or other notices, including copyright notices and patent markings, if any.

To reduce the risk of bodily injury, electrical shock, fire, and damage to the device and other equipment, observe the following precautions:

### Power Sources

- Observe and follow service markings.
- Do not push any objects into the openings of your device unless consistent with the authorized operation of the device. Doing so can cause a fire or an electrical shock by shorting out interior components.
- The powering of this device must adhere to the power specifications indicated for this product.
- Do not overload wall outlets and/or extension cords as this will increase the risk of fire or electrical shock.
- Do not rest anything on the power cord or on the device (unless the device is made and expressly approved as suitable for stacking).
- Position system cables and power cables carefully; route cables so that they cannot be stepped on or tripped over. Be sure that nothing rests on any cables.
- Operate the device only from the type of external power source indicated on the electrical ratings label.
- To help avoid damaging your device, be sure the voltage selection switch (if provided) on the power supply is set to match the power available at your location.
- Also be sure that attached devices are electrically rated to operate with the power available in your location.
- Use only approved power cable(s). If you have not been provided a power cable for your device or for any AC-powered option intended for your device, purchase a power cable that is approved for use in your country and is suitable for use with your device. The power cable must be rated for the device and for the voltage and current marked on the device's electrical ratings label. The voltage and current rating of the cable should be greater than the ratings marked on the device.
- To help prevent an electrical shock, plug the device and peripheral power cables into properly grounded electrical outlets. These cables are equipped with three-prong plugs to help ensure proper grounding. Do not use adapter plugs or remove the grounding prong from a cable. If you must use an extension cable, use a 3-wire cable with properly grounded plugs.
- Observe extension cable and power strip ratings. Ensure that the total ampere rating of all products plugged into the extension cable or power strip does not exceed 80 percent of the ampere ratings limit for the extension cable or power strip.
- To help protect your device from sudden, transient increases and decreases in electrical power, use a surge suppressor, line conditioner, or uninterruptible power supply (UPS).
- Do not modify power cables or plugs. Consult a licensed electrician or your power company for site modifications. Always follow your local/national wiring rules.
- When connecting or disconnecting power to hot-pluggable power supplies, if offered with your device, observe the following guidelines:
  - Install the power supply before connecting the power cable to the power supply.
  - Unplug the power cable before removing the power supply.
  - If the system has multiple sources of power, disconnect power from the device by unplugging all power cables from the power supplies.



## Servicing/Disassembling

- Do not service any product except as expressly set forth in your system documentation.
- Opening or removing covers that are marked with the triangular symbol with a lightning bolt may expose you to an electrical shock. Only a trained service technician should service components inside these compartments.
- To reduce the risk of electrical shock, never disassemble this device. None of its internal parts are user-replaceable; therefore, there is no reason to access the interior.
- Do not spill food or liquids on your system components, and never operate the device in a wet environment. If the device gets wet, see the appropriate section in your troubleshooting guide or contact your trained service provider.
- Use the device only with approved equipment.
- Move products with care; ensure that all casters and/or stabilizers are firmly connected to the system. Avoid sudden stops and uneven surfaces.

## Environment

- Do not use this device near water (e.g. near a bathtub, sink, laundry tub, fish tank, in a wet basement or near a swimming pool).
- Do not use this device in areas with high humidity.
- This device must not be subjected to water or condensation.
- Keep your device away from radiators and heat sources. Also, do not block cooling vents.

## Cleaning

- Always unplug the power before cleaning this device.
- Do not use liquid or aerosol cleaners of any kind. Use only compressed air that is recommended for electronic devices.
- Use a dry cloth for cleaning.

## PROTECTING AGAINST ELECTROSTATIC DISCHARGE

Static electricity can harm delicate components inside your system. To prevent static damage, discharge static electricity from your body before you touch any of the electronic components, such as the microprocessor. You can do so by periodically touching an unpainted metal surface on the chassis.

You can also take the following steps to help prevent damage from electrostatic discharge (ESD):

1. When unpacking a static-sensitive component from its shipping carton, do not remove the component from the antistatic packing material until you are ready to install the component in your system. Just before unwrapping the antistatic packaging, be sure to discharge static electricity from your body.
2. When transporting a sensitive component, first place it in an antistatic container or packaging.
3. Handle all sensitive components in a static-safe area. If possible, use antistatic floor pads, workbench pads, and an antistatic grounding str

## INSTRUCCIONES DE SEGURIDAD

Por favor siga las siguientes instrucciones de seguridad para garantizar su propia seguridad personal y proteger el equipo de posibles daños. Cualquier acto realizado que sea incompatible con el uso normal del producto, incluyendo pruebas no apropiadas, etc., y aquellos que no estén expresamente autorizados por D-Link pueden dar lugar a la pérdida de la garantía del producto.

A menos que estén expresamente aprobados por escrito por un representante autorizado de D-Link, usted no puede no puede:

- Desmontar o alterar el diseño del dispositivo o intentar obtener el código fuente (ideas subyacentes, algoritmos, o estructura del mismo) del dispositivo o de cualquier otra información proporcionada por D-Link, salvo en el caso en que esta restricción esté expresamente prohibida por la ley local.
- Modificar o alterar el dispositivo.
- Retirar la identificación del producto u otras notificaciones, incluyendo las notificaciones de copyright y marcado de patente, si fuera el caso.

Para reducir el riesgo de lesiones personales, descargas eléctricas, incendios y daños al aparato y otro equipamiento, tome las siguientes precauciones:

### Fuentes de alimentación

- Lea y siga atentamente las instrucciones de uso.
- No introduzca ningún objeto en las aberturas de su dispositivo. Si lo hace, puede provocar un incendio o recibir una descarga eléctrica debido a un cortocircuito de los componentes internos.
- El suministro eléctrico debe cumplir con las especificaciones de alimentación indicadas para este producto.
- No sobrecargue los enchufes de pared y / o cables de extensión ya que esto aumentará el riesgo de producir un incendio o recibir una descarga eléctrica.
- No apoye nada sobre el cable de alimentación o encima el dispositivo (a menos que el dispositivo esté diseñado y expresamente aprobado para ello).
- Coloque los cables del equipo y de la fuente de alimentación con cuidado, de forma que no se puedan pisar o tropezar fácilmente con ellos. Asegúrese de que no apoya nada sobre los cables.
- Utilice el dispositivo sólo con una fuente de alimentación externa que cumpla con las especificaciones eléctricas de la etiqueta.
- Para ayudar a evitar daños en el dispositivo, asegúrese de que el selector de voltaje (si existe) de la fuente de alimentación está ajustado para la tensión disponible en su localidad.
- Asegúrese también de que los dispositivos conectados estén clasificados eléctricamente para funcionar con la tensión disponible en su ubicación.
- Utilice únicamente cables de alimentación aprobados. Si el equipo no viniera con cable de alimentación o con cualquier otra opción de alimentación para corriente alterna, compre un cable de alimentación que esté aprobado para uso en su país y sea adecuado para su uso con el dispositivo. El cable de alimentación debe estar aprobado para el dispositivo y para el voltaje/corriente marcado en la etiqueta de especificaciones eléctricas que incluye el dispositivo, debiendo ser el valor de voltaje/corriente del cable superior al de las especificaciones.
- Para ayudar a prevenir una descarga eléctrica, conecte el dispositivo en enchufes que dispongan de su correspondiente toma de tierra. Los cables están equipados con enchufes de tres clavijas para garantizar una conexión a tierra adecuada. No utilice adaptadores ni retire la clavija de conexión a tierra de un cable. Si tiene que utilizar un cable de extensión, utilice un cable de 3 hilos con enchufes adecuadamente conectados a tierra.
- Asegúrese de que el amperaje total de todos los productos conectados al cable de extensión o regleta de alimentación no sea superior al 80 por ciento del amperaje límite del cable de extensión o de la regleta.
- Para ayudar a proteger el dispositivo de cambios repentinos, transitorios o disminuciones de la señal eléctrica, utilice un supresor de sobretensiones, un acondicionador de línea, o una fuente de alimentación ininterrumpida (SAI).
- No modifique los cables de alimentación o los enchufes. Consulte a un electricista autorizado o con la compañía eléctrica para realizar las modificaciones necesarias. Siga siempre la normativa de cableado local/nacional.
- Al conectar o desconectar la alimentación de las fuentes de alimentación conectables en caliente, si fuera el caso de su dispositivo, siga las siguientes pautas:
- Instale la fuente de alimentación antes de proporcionar alimentación a la misma.
- Desconecte la alimentación antes de retirar el cable de alimentación.



- Si el sistema tiene múltiples fuentes de alimentación, desconecte la alimentación del mismo, y desenchufe todos los cables de alimentación de las fuentes de alimentación.
- En el caso de que la fuente de alimentación sea el dispositivo de desconexión del equipo. La base de toma de corriente debe estar cerca del equipo y ser fácilmente accesible.

#### Manipulación/ Desmontaje

- No manipule el producto, salvo que esté expresamente establecido en la documentación del equipo.
- Si abre o retira las cubiertas que están marcadas con el símbolo triangular con un rayo puede exponerse a una descarga eléctrica. Sólo un técnico cualificado debe reparar los componentes dentro de estos compartimentos.
- Para reducir el riesgo de descarga eléctrica, no desmonte el dispositivo. Ninguno de sus partes internas es sustituible por el usuario, por lo tanto, no hay ninguna razón para acceder al interior.
- No derrame comida ni líquidos sobre los componentes del sistema, y nunca utilice el dispositivo en un ambiente húmedo. Si el dispositivo se moja, consulte la sección correspondiente a solución de problemas o contacte con su proveedor.
- Utilice el dispositivo sólo con equipamiento aprobado.
- Mueva los productos con cuidado; asegúrese de que todos los estabilizadores están firmemente sujetos al equipo. Evite las detenciones repentinas y las superficies irregulares.

#### Medio Ambiente

- No utilice este aparato cerca del agua (por ejemplo, cerca de una bañera, fregadero, lavadero, peceras, en un sótano húmedo o cerca de una piscina).
- No utilice este dispositivo en lugares con alta humedad.
- Este dispositivo no debe ser sometido al agua o la condensación.
- Mantenga el dispositivo alejado de radiadores y fuentes de calor. Asimismo, no bloquee las rejillas de ventilación.

#### Limpieza

- Desconecte siempre la alimentación antes de limpiar este dispositivo.
- No utilice limpiadores en aerosol o líquidos de ningún tipo. Use sólo aire comprimido recomendado para dispositivos electrónicos.
- Utilice un paño seco para limpiarlo.

## PROTECCIÓN CONTRA DESCARGAS ELECTROSTÁTICAS

La electricidad estática puede dañar componentes delicados de su sistema. Para evitar daños por electricidad estática, descargar la electricidad estática de su cuerpo antes de tocar cualquiera de los componentes electrónicos, tales como el microprocesador. Puede hacerlo con un toque periódicamente de una superficie metálica sin pintura del propio chasis del equipo.

También puede realizar los siguientes pasos para ayudar a prevenir posibles daños por descargas electrostáticas:

1. Al desembalar un componente sensible a la electricidad estática de su caja de envío, no retire el material de embalaje antiestático hasta que esté listo para instalar el componente en su sistema. Justo antes de abrir el embalaje antiestático, asegúrese de descargar la electricidad estática de su cuerpo.
2. Cuando transporte un componente sensible a la electricidad estática, colóquelo en un contenedor o embalaje antiestático.
3. Maneje todos los componentes sensibles a la electricidad estática en un área de prueba libre de cargas electrostáticas. Si es posible, utilice alfombrillas antiestáticas en el suelo, el banco de trabajo, y una correa antiestática con conexión a tierra.

## EUROPEAN COMMUNITY DECLARATION OF CONFORMITY

Česky [Czech]	D-Link Corporation tímto prohlašuje, že tento je ve shodě se základními požadavky a dalšími příslušnými ustanoveními směrnice 1999/5/ES.
Dansk [Danish]	Undertegnede D-Link Corporation erklærer herved, at følgende udstyr overholder de væsentlige krav og øvrige relevante krav i direktiv 1999/5/EF.
Deutsch [German]	Hiermit erkläre D-Link Corporation, dass sich das Gerät in Übereinstimmung mit den grundlegenden Anforderungen und den übrigen einschlägigen Bestimmungen der Richtlinie 1999/5/EG befindet.
Eesti [Estonian]	Käesolevaga kinnitab D-Link Corporation seadme vastavust direktiivi 1999/5/EU põhinõuetele ja nimetatud direktiivist tulenevatele teistele asjakohastele sätetele.
English	Hereby, D-Link Corporation, declares that this is in compliance with the essential requirements and other relevant provisions of Directive 1999/5/EC.
Español [Spanish]	Por medio de la presente D-Link Corporation declara que el cumple con los requisitos esenciales y cualesquiera otras disposiciones aplicables o exigibles de la Directiva 1999/5/CE.
Ελληνική [Greek]	ΜΕ ΤΗΝ ΠΑΡΟΥΣΑΔ-Link Corporation ΔΗΛΩΝΕΙ ΟΤΙ ΣΥΜΜΟΡΦΟΝΕΤΑΙ ΠΡΟΣ ΤΙΣ ΟΥΣΙΩΔΕΙΣ ΑΠΑΙΤΗΣΕΙΣ ΚΑΙ ΤΙΣ ΛΟΙΠΕΣ ΣΧΕΤΙΚΕΣ ΔΙΑΤΑΞΕΙΣ ΤΗΣ ΟΔΗΓΙΑΣ 1999/5/ΕΚ.
Français [French]	Par la présente D-Link Corporation déclare que l'appareil est conforme aux exigences essentielles et aux autres dispositions pertinentes de la directive 1999/5/CE.
Italiano [Italian]	Con la presente D-Link Corporation dichiara che questo è conforme ai requisiti essenziali ed alle altre disposizioni pertinenti stabilite dalla direttiva 1999/5/CE.
Latviski [Latvian]	Ar šo D-Link Corporation deklarē, ka atbilst Direktīvas 1999/5/EK būtiskajām prasībām un citiem ar to saistītajiem noteikumiem.
Lietuvių [Lithuanian]	Šiuo D-Link Corporation deklaruoją, kad šis atitinka esminius reikalavimus ir kitas 1999/5/EB Direktyvos nuostatas.
Nederlands [Dutch]	Hierbij verklaart D-Link Corporation dat het toestel in overeenstemming is met de essentiële eisen en de andere relevante bepalingen van richtlijn 1999/5/EG.
Malti [Maltese]	Hawnhekk, D-Link Corporation, jiddikjara li dan jikkonforma mal-ħtiġijiet essenzjali u ma providementi oħrajn rilevanti li hemm fid-Direttiva 1999/5/EC.
Magyar [Hungarian]	Alulírott, D-Link Corporation nyilatkozom, hogy a megfelel a vonatkozó alapvető követelményeknek és az 1999/5/EC irányelv egyéb előírásainak.
Polski [Polish]	Niniejszym D-Link Corporation oświadczam, że jest zgodny z zasadniczymi wymogami oraz pozostałymi stosownymi postanowieniami Dyrektywy 1999/5/EC.
Português [Portuguese]	D-Link Corporation declara que este D-Link Corporation está conforme com os requisitos essenciais e outras disposições da Directiva 1999/5/CE.
Slovensko [Slovenian]	D-Link Corporation izjavlja, da je ta v skladu z bistvenimi zahtevami in ostalimi relevantnimi določili direktive 1999/5/ES.
Slovensky [Slovak]	D-Link Corporation týmto vyhlasuje, že spĺňa základné požiadavky a všetky príslušné ustanovenia Smernice 1999/5/ES.
Suomi [Finnish]	D-Link Corporation vakuuttaa täten että tyypinen laite on direktiivin 1999/5/EY oleellisten vaatimusten ja sitä koskevien direktiivin muiden ehtojen mukainen.
Svenska [Swedish]	Härmed intygar D-Link Corporation att denna står i överensstämmelse med de väsentliga egenskapskrav och övriga relevanta bestämmelser som framgår av direktiv 1999/5/EG.
Íslenska [Icelandic]	Hér með lýsir D-Link Corporation yfir því að er í samræmi við grunnkröfur og aðrar kröfur, sem gerðar eru í tilskipun 1999/5/EC.
Norsk [Norwegian]	D-Link Corporation erklærer herved at utstyret er i samsvar med de grunnleggende krav og øvrige relevante krav i direktiv 1999/5/EF.

#### WARNING STATEMENT

The power outlet should be nearby the device and easily accessible.

#### CE EMI CLASS A WARNING (only for class A product)



This is a Class A product. In a domestic environment, this product may cause radio interference, in which case the user may be required to take adequate measures.

# DISPOSING AND RECYCLING YOUR PRODUCT



ENGLISH

EN



This symbol on the product or packaging means that according to local laws and regulations this product should be not be disposed of in the household waste but sent for recycling. Please take it to a collection point designated by your local authorities once it has reached the end of its life, some will accept products for free. By recycling the product and its packaging in this manner you help to conserve the environment and protect human health.

### D-Link and the environment

At D-Link, we understand and are committed to reducing any impact our operations and products may have on the environment. To minimise this impact D-Link designs and builds its products to be as environmentally friendly as possible, by using recyclable, low toxic materials in both products and packaging.

D-Link recommends that you always switch off or unplug your D-Link products when they are not in use. By doing so you will help to save energy and reduce CO2 emissions.

To learn more about our environmentally responsible products and packaging please visit [www.dlinkgreen.com](http://www.dlinkgreen.com)

DEUTSCH

DE



Dieses Symbol auf dem Produkt oder der Verpackung weist darauf hin, dass dieses Produkt gemäß bestehender örtlicher Gesetze und Vorschriften nicht über den normalen Hausmüll entsorgt werden sollte, sondern einer Wiederverwertung zuzuführen ist. Bringen Sie es bitte zu einer von Ihrer Kommunalbehörde entsprechend amtlich ausgewiesenen Sammelstelle, sobald das Produkt das Ende seiner Nutzungsdauer erreicht hat. Für die Annahme solcher Produkte erheben einige dieser Stellen keine Gebühren. Durch ein auf diese Weise durchgeführtes Recycling des Produkts und seiner Verpackung helfen Sie, die Umwelt zu schonen und die menschliche Gesundheit zu schützen.

### D-Link und die Umwelt

D-Link ist sich den möglichen Auswirkungen seiner Geschäftstätigkeiten und seiner Produkte auf die Umwelt bewusst und fühlt sich verpflichtet, diese entsprechend zu mindern. Zu diesem Zweck entwickelt und stellt D-Link seine Produkte mit dem Ziel größtmöglicher Umweltfreundlichkeit her und verwendet wiederverwertbare, schadstoffarme Materialien bei Produktherstellung und Verpackung.

D-Link empfiehlt, Ihre Produkte von D-Link, wenn nicht in Gebrauch, immer auszuschalten oder vom Netz zu nehmen. Auf diese Weise helfen Sie, Energie zu sparen und CO2-Emissionen zu reduzieren. Wenn Sie mehr über unsere umweltgerechten Produkte und Verpackungen wissen möchten, finden Sie entsprechende Informationen im Internet unter [www.dlinkgreen.com](http://www.dlinkgreen.com).

FRANÇAIS

FR



Ce symbole apposé sur le produit ou son emballage signifie que, conformément aux lois et réglementations locales, ce produit ne doit pas être éliminé avec les déchets domestiques mais recyclé. Veuillez le rapporter à un point de collecte prévu à cet effet par les autorités locales; certains acceptent vos produits gratuitement. En recyclant le produit et son emballage de cette manière, vous aidez à préserver l'environnement et à protéger la santé de l'homme.

### D-Link et l'environnement

Chez D-Link, nous sommes conscients de l'impact de nos opérations et produits sur l'environnement et nous engageons à le réduire. Pour limiter cet impact, D-Link conçoit et fabrique ses produits de manière aussi écologique que possible, en utilisant des matériaux recyclables et faiblement toxiques, tant dans ses produits que ses emballages.

D-Link recommande de toujours éteindre ou débrancher vos produits D-Link lorsque vous ne les utilisez pas. Vous réalisez ainsi des économies d'énergie et réduisez vos émissions de CO2. Pour en savoir plus sur les produits et emballages respectueux de l'environnement, veuillez consulter le [www.dlinkgreen.com](http://www.dlinkgreen.com)

ESPAÑOL

ES



Este símbolo en el producto o el embalaje significa que, de acuerdo con la legislación y la normativa local, este producto no se debe desechar en la basura doméstica sino que se debe reciclar. Lévelo a un punto de recogida designado por las autoridades locales una vez que ha llegado al fin de su vida útil; algunos de ellos aceptan recogerlos de forma gratuita. Al reciclar el producto y su embalaje de esta forma, contribuye a preservar el medio ambiente y a proteger la salud de los seres humanos.

### D-Link y el medio ambiente

En D-Link, comprendemos y estamos comprometidos con la reducción del impacto que puedan tener nuestras actividades y nuestros productos en el medio ambiente. Para reducir este impacto, D-Link diseña y fabrica sus productos para que sean lo más ecológicos posible, utilizando materiales reciclables y de baja toxicidad tanto en los productos como en el embalaje. D-Link recomienda apagar o desenchufar los productos D-Link cuando no se estén utilizando. Al hacerlo, contribuirá a ahorrar energía y a reducir las emisiones de CO2.

Para obtener más información acerca de nuestros productos y embalajes ecológicos, visite el sitio [www.dlinkgreen.com](http://www.dlinkgreen.com)

ITALIANO

IT



La presenza di questo simbolo sul prodotto o sulla confezione del prodotto indica che, in conformità alle leggi e alle normative locali, questo prodotto non deve essere smaltito nei rifiuti domestici, ma avviato al riciclo. Una volta terminato il ciclo di vita utile, portare il prodotto presso un punto di raccolta indicato dalle autorità locali. Alcuni questi punti di raccolta accettano gratuitamente i prodotti da riciclare. Sceglierlo di riciclare il prodotto e il relativo imballaggio, si contribuirà a preservare l'ambiente e a salvaguardare la salute umana.

### D-Link e l'ambiente

D-Link cerca da sempre di ridurre l'impatto ambientale dei propri stabilimenti e dei propri prodotti. Allo scopo di ridurre al minimo tale impatto, D-Link progetta e realizza i propri prodotti in modo che rispettino il più possibile l'ambiente, utilizzando materiali riciclabili a basso tasso di tossicità sia per i prodotti che per gli imballaggi.

D-Link raccomanda di spegnere sempre i prodotti D-Link o di scollegare la spina quando non vengono utilizzati. In questo modo si contribuirà a risparmiare energia e a ridurre le emissioni di anidride carbonica.

Per ulteriori informazioni sui prodotti e sugli imballaggi D-Link a ridotto impatto ambientale, visitate il sito all'indirizzo [www.dlinkgreen.com](http://www.dlinkgreen.com)

NEDERLANDS

NL



Dit symbool op het product of de verpakking betekent dat dit product volgens de plaatselijke wetgeving niet mag worden weggegooid met het huishoudelijk afval, maar voor recycling moeten worden ingeleverd. Zodra het product het einde van de levensduur heeft bereikt, dient u het naar een inzamelingspunt te brengen dat hiertoe werd aangegevoerd door uw plaatselijke autoriteiten, sommige autoriteiten accepteren producten zonder dat u hiervoor dient te betalen. Door het product en de verpakking op deze manier te recyclen helpt u het milieu en de gezondheid van de mens te beschermen.

### D-Link en het milieu

Bij D-Link spannen we ons in om de impact van onze handelingen en producten op het milieu te beperken. Om deze impact te beperken, ontwerpt en bouwt D-Link zijn producten zo milieuvriendelijk mogelijk, door het gebruik van recycleerbare producten met lage toxiciteit in product en verpakking.

D-Link raadt aan om steeds uw D-Link producten uit te schakelen of uit de stekker te halen wanneer u ze niet gebruikt. Door dit te doen bespaart u energie en beperkt u de CO2-emissies. Breng een bezoek aan [www.dlinkgreen.com](http://www.dlinkgreen.com) voor meer informatie over onze milieuverantwoorde producten en verpakkingen

POLSKI

PL



Ten symbol umieszczony na produkcie lub opakowaniu oznacza, że zgodnie z miejscowym prawem i lokalnymi przepisami niniejszego produktu nie wolno wyrzucać jak odpady czy śmieci z gospodarstwa domowego, lecz należy go poddać procesowi recyklingu. Po zakończeniu użytkowania produktu, niektóre odpowiednio do tego celu podmioty przyjmują takie produkty nieodpłatnie, dlatego prosimy dostarczyć go do punktu zbiórki wskazanego przez lokalne władze. Poprzez proces recyklingu i dzięki takiemu postępowaniu z produktem oraz jego opakowaniem, pomagamy Państwu chronić środowisko naturalne i dbać o ludzkie zdrowie.

### D-Link i środowisko

W D-Link podchodzimy w sposób świadomy do ochrony otoczenia oraz jesteśmy zaangażowani w zmniejszanie wpływu naszych działań i produktów na środowisko naturalne. W celu zminimalizowania takiego wpływu firma D-Link konstruuje i wytwarza swoje produkty w taki sposób, aby były one jak najbardziej przyjazne środowisku, stosując do tych celów materiały nadające się do powtórnego wykorzystania, charakteryzujące się małą toksycznością zarówno w przypadku samych produktów jak i opakowań.

Firma D-Link zaleca, aby Państwo zawsze prawidłowo wyłączali z użytku swoje produkty D-Link, gdy nie są one wykorzystywane. Postępując w ten sposób pozwalają Państwo oszczędzać energię i zmniejszać emisje CO2.

Aby dowiedzieć się więcej na temat produktów i opakowań mających wpływ na środowisko prosimy zapoznać się ze stroną internetową [www.dlinkgreen.com](http://www.dlinkgreen.com).

ČESKY

CZ



Tento symbol na výrobku nebo jeho obalu znamená, že podle místně platných předpisů se výrobek nesmí vyhozovat do komunálního odpadu, ale odeslat k recyklaci. Az výrobek doslouží, odnese jej prosím na sběrné místo určené místními úřady k tomuto účelu. Některá sběrná místa případně výrobky zdarma. Recyklaci výrobků i obalu pomůžete chránit životní prostředí i lidské zdraví.

### D-Link a životní prostředí

Společnosti D-Link jsme si vědomi vlivu našich provozů a výrobků na životní prostředí a snažíme se o minimalizaci těchto vlivů. Proto své výrobky navrhujeme a vyrábíme tak, aby byly co nejekologičtější, a ve výrobcích i obalech používáme recyklovatelné a nízkotoxické materiály. Společnost D-Link doporučuje, abyste své výrobky značky D-Link vypnuli nebo vytáhli ze zásuvky vždy, když je nepoužíváte. Pomůžete tak šetřit energii a snížit emise CO2.

Více informací o našich ekologických výrobcích a obalech najdete na adrese [www.dlinkgreen.com](http://www.dlinkgreen.com).

MAGYAR

HU



Ez a szimbólum a termékén vagy a csomagolásán azt jelenti, hogy a helyi törvényeknek és szabályoknak megfelelően ez a termék nem semmisíthető meg a háztartási hulladékkal együtt, hanem újrahasznosításra kell küldeni. Kérjük, hogy a termék élettartamának eltelét követően vigye azt a helyi hatóság által kijelölt gyűjtőhelyre. A termékek egyes helyeken ingyen elhelyezhetők. A termék és a csomagolás újrahasznosításával segíti a védelmi és környezetvédelmi munkát.

### A D-Link és a környezet

A D-Linknél megértjük és elköteleztük magunkat a műveleteink és termékeink környezetre gyakorolt hatásainak csökkentésére. Az ezen hatás csökkentése érdekében a D-Link a lehető leginkább környezetbarát termékeket tervez és gyárt azért, hogy újrahasznosítható, alacsony károsanyag-tartalmú termékeket gyárt és csomagolásokat alkalmazz.

D-Link azt javasolja, hogy mindig kapcsolja ki vagy húzza ki a D-Link termékeket a tápforrásból, ha nem használja azokat. Ezzel segít az energia megtakarításában és a széndioxid kibocsátásának csökkentésében.

Környezetbarát termékeinkről és csomagolásainkról további információkat a [www.dlinkgreen.com](http://www.dlinkgreen.com) weboldalon tudhat meg.

NORSK

NO



Denne symbolet på produktet eller forpakningen betyr at dette produktet ifølge lokale lover og forskrifter ikke skal kastes sammen med husholdningsavfall, men leveres inn til gjenvinning. Vennligst ta det til et innsamlingssted anviset av lokale myndigheter når det er kommet til slutten av levetiden. Noen steder aksepteres produkter uten avgift. Ved på denne måten å gjenvinne produktet og forpakningen hjelper du å verne miljøet og beskytte folks helse.

### D-Link og miljøet

Hos D-Link forstår vi oss på et og er forpliktet til å minske innvirkningen som vår drift og våre produkter kan ha på miljøet. For å minimalisere denne innvirkningen designer og produserer D-Link produkter som er så miljøvennlige som mulig, ved å bruke resirkulerbare, lav-toksiske materialer både i produktene og forpakningen.

D-Link anbefaler at du alltid slår av eller frakobler D-Link-produkter når de ikke er i bruk. Ved å gjøre dette hjelper du å spare energi og å redusere CO2-utslipp.

For mer informasjon angående våre miljøansvarlige produkter og forpakninger kan du gå til [www.dlinkgreen.com](http://www.dlinkgreen.com)

DANSK

DK



Denne symbol på produktet eller emballagen betyder, at dette produkt i henhold til lokale love og regler ikke må bortskaffes som husholdningsaffald, mens skal sendes til genbrug. Indlever produktet til et innsamlingssted som anviset af de lokale myndigheder, når det er nået til slutningen af dets levetid. I nogle tilfælde vil produktet blive modtaget gratis. Ved at indlevere produktet og dets emballage til genbrug på denne måde bidrager du til at beskytte miljøet og den menneskelige sundhed.

### D-Link og miljøet

Hos D-Link forstår vi og bestræber os på at reducere enhver indvirkning, som vores aktiviteter og produkter kan have på miljøet. For at minimere denne indvirkning designer og producerer D-Link sine produkter, så de er så miljøvenlige som muligt, ved at bruge genanvendelige materialer med lavt giftighedsniveau i både produkter og emballage.

D-Link anbefaler, at du altid slukker eller frakobler dine D-Link-produkter, når de ikke er i brug. Ved at gøre det bidrager du til at spare energi og reducere CO2-udledningen.

Du kan finde flere oplysninger om vores miljøansvarlige produkter og emballage på [www.dlinkgreen.com](http://www.dlinkgreen.com)

SUOMI

FI



Tämä symboli tuotteen pakkauksessa tarkoittaa, että paikallisten lakien ja säännösten mukaisesti tätä tuotetta ei pidä hävittää yleisen kotitalousjätteen seassa vaan se tulee toimittaa kierrätettäväksi. Kun tuote on elinkaarensa päässä, toimitta se lähimpään viranomaisen hyväksymään kierrätyspisteeseen. Kierrättämällä käytetty tuotteen ja sen pakkauksen autat tekemään sekä ympäristön että ihmisten terveyttä ja hyvinvointia.

### D-Link ja ympäristö

D-Link ymmärtää ympäristönsuojelun tärkeyden ja on sitoutunut vähentämään tuotteistaan ja niiden valmistuksesta ympäristölle mahdollisesti aiheutuvia haittavaikutuksia. Nämä negatiiviset vaikutukset minimoidakseen D-Link suunnittelee ja valmistaa tuotteensa mahdollisimman ympäristövastavilaisiksi käyttämällä kierrätettäviä, alhaisia pitoisuuksia sisältäviä materiaaleja sekä tuotteissaan että niiden pakkauksissa.

Suosittelme, että irrotat D-Link-tuotteesi virtalähteestä tai sammutat ne aina, kun ne eivät ole käytössä. Toimimalla näin autat säästämään energiaa ja vähentämään hiilidioksidipäästöjä. Lue lisää ympäristövastavilaisista D-Link-tuotteista ja pakkauksistamme osoitteesta [www.dlinkgreen.com](http://www.dlinkgreen.com)



Den här symbolen på produkten eller förpackningen betyder att produkten enligt lokala lagar och föreskrifter inte skall kastas i hushållsoporna utan i stället återvinnas. Ta den vid slutet av dess livslängd till en av din lokala myndighet utsedd uppsamlingsplats, vissa accepterar produkter utan kostnad. Genom att på detta sätt återvinna produkten och förpackningen hjälper du till att bevara miljön och skydda människors hälsa.

#### D-Link och miljön

På D-Link förstår vi och är fast beslutna att minska den påverkan våra verksamheter och produkter kan ha på miljön. För att minska denna påverkan utformar och bygger D-Link sina produkter för att de ska vara så miljövänliga som möjligt, genom att använda återvinningsbara material med låg giftighet i både produkter och förpackningar.

D-Link rekommenderar att du alltid stänger av eller kopplar ur dina D-Link produkter när du inte använder dem. Genom att göra detta hjälper du till att spara energi och minska utsläpp av koldioxid.

För mer information om våra miljöansvariga produkter och förpackningar [www.dlinkgreen.com](http://www.dlinkgreen.com)



Este símbolo no produto ou embalagem significa que, de acordo com as leis e regulamentações locais, este produto não deverá ser eliminado juntamente com o lixo doméstico mas enviado para a reciclagem. Transporte-o para um ponto de recolha designado pelas suas autoridades locais quando este tiver atingido o fim da sua vida útil, alguns destes pontos aceitam produtos gratuitamente. Ao reciclar o produto e respectiva embalagem desta forma, ajuda a preservar o ambiente e protege a saúde humana.

#### A D-Link e o ambiente

Na D-Link compreendemos e comprometemo-nos com a redução do impacto que as nossas operações e produtos possam ter no ambiente. Para minimizar este impacto a D-Link concebe e constrói os seus produtos para que estes sejam o mais inofensivos para o ambiente possível, utilizando materiais recicláveis e não tóxicos tanto nos produtos como nas embalagens.

A D-Link recomenda que desligue os seus produtos D-Link quando estes não se encontrarem em utilização. Com esta ação ajudará a poupar energia e reduzir as emissões de CO<sub>2</sub>. Para saber mais sobre os nossos produtos e embalagens responsáveis a nível ambiental visite [www.dlinkgreen.com](http://www.dlinkgreen.com)



Этот символ на продукте или упаковке означает, что в соответствии с нормами местного законодательства данный продукт в случае выхода из строя подлежит утилизации, и от него нельзя избавиться как от обычного бытового мусора. Отнесите устройство в ближайшую службу утилизации и переработки. При утилизации продукта и его упаковки таким образом обеспечивается защита окружающей среды и не наносится вред здоровью людей.

#### Забота D-Link об окружающей среде

Компания D-Link стремится максимально сократить негативное влияние своей деятельности на окружающую среду. Поэтому D-Link разрабатывает максимально экологичные продукты, используя легкоперерабатываемые и низкотоксичные материалы как для изготовления самих продуктов, так и их упаковки.

Кроме того, D-Link рекомендует отключать устройства, если они не используются. Это обеспечит энергосбережение и сократит выброс в атмосферу углекислого газа.

Более подробная информация об экологичной продукции D-Link доступна на сайте [www.dlinkgreen.com](http://www.dlinkgreen.com)

**D-Link<sup>®</sup>**



Ver. 2.01(EU)  
2013/01/11  
6DGS6600Q.02G