

XEROX.

printer

Quick Use Guide

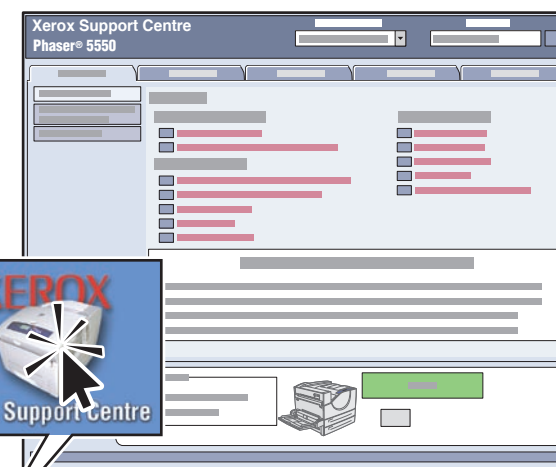


Basic Printing
Supported Papers
Control Panel Buttons
Paper Jams
Printer Tour
Supplies Info



More information

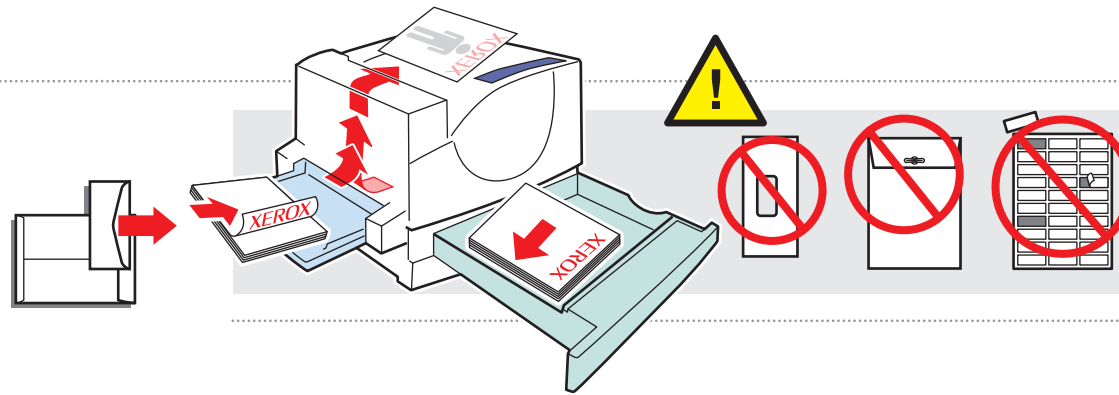
Xerox Support Centre



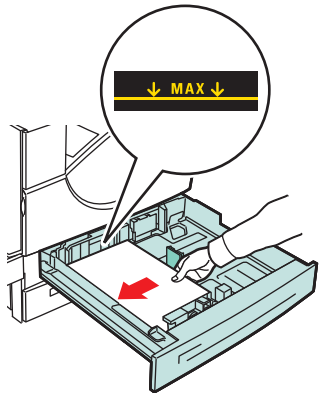
Utility installs with the printer driver, or go to www.xerox.com/office/5550support. Double-click the icon on the Windows desktop or Mac OS X dock.

- **User manuals and video tutorials**
- **Troubleshooting**
- **Printer and supplies status**
- **User safety**
- **Material Safety Data Sheets**

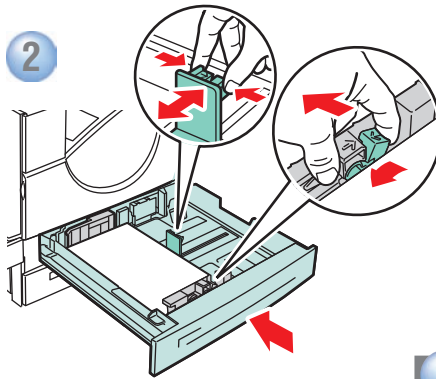
Basic Printing



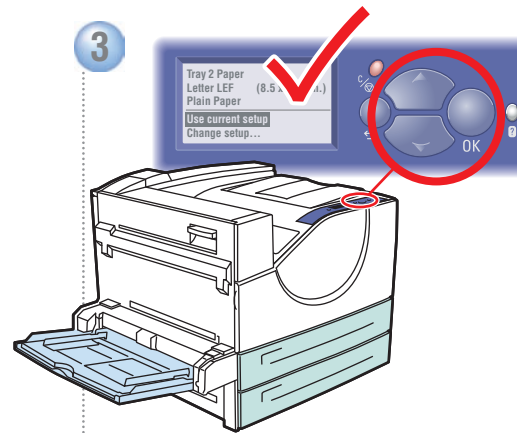
1



2

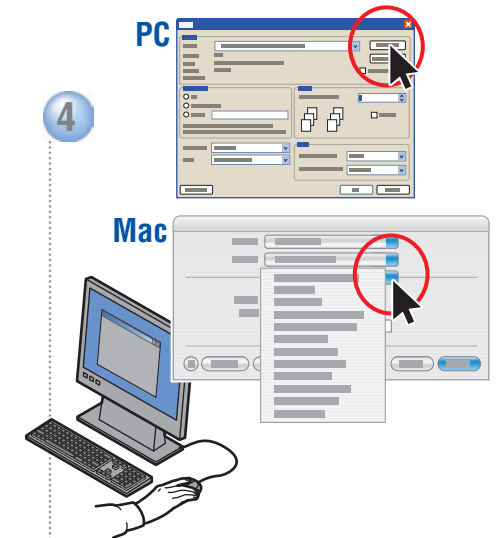


3



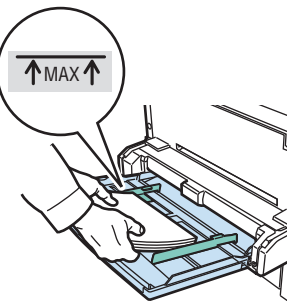
Confirm or change settings.

4

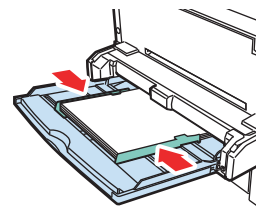


Select properties. Use the Xerox printer driver.

1



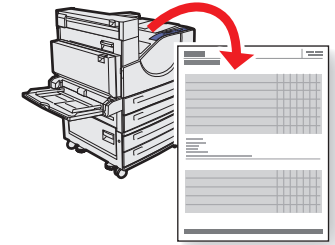
2



Supported Papers



Print the Paper Tips page for more information.

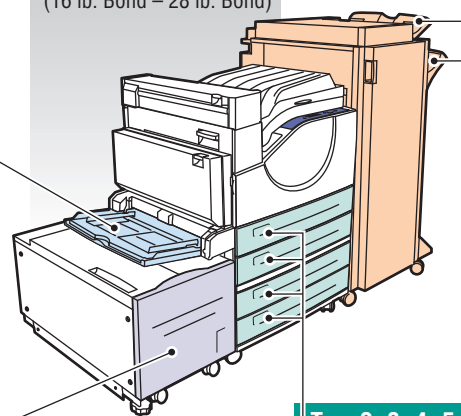


See the **Printing Basics** chapter in the *User Guide*.



Tray 1, 3, 4, 5, 6
60 – 215 g/m²
(16 lb. Bond – 57 lb. Bond/
80 lb. Cover)

Tray 2
60 – 105 g/m²
(16 lb. Bond – 28 lb. Bond)



Upper, Lower Tray	
Executive	7.25 x 10.5 in.
Letter	8.5 x 11.0 in.
US Folio	8.5 x 13.0 in.
Legal	8.5 x 14.0 in.
Tabloid	11.0 x 17.0 in.
Custom	(SE) x (LE)
A4	210 x 297 mm
A3	297 x 420 mm
B5 JIS	182 x 257 mm
B4 JIS	257 x 364 mm

Tray 1 (MPT)	
Small Postcard	3.5 x 5.5 in.
Large Postcard	4.0 x 6.0 in.
Statement	5.5 x 8.5 in.
Executive	7.25 x 10.5 in.
Letter	8.5 x 11.0 in.
US Folio	8.5 x 13.0 in.
Legal	8.5 x 14.0 in.
Tabloid	11.0 x 17.0 in.
Custom	(SE) x (LE)
A6	105 x 148 mm
A5	148 x 210 mm
A4	210 x 297 mm
A3	297 x 420 mm
B6 JIS	128 x 182 mm
B5 JIS	182 x 257 mm
B4 JIS	257 x 364 mm

Tray 2, 3, 4, 5	
Statement	5.5 x 8.5 in.
Executive	7.25 x 10.5 in.
Letter	8.5 x 11.0 in.
US Folio	8.5 x 13.0 in.
Legal	8.5 x 14.0 in.
Tabloid	11.0 x 17.0 in.
Custom	(SE) x (LE)
A5	148 x 210 mm
A4	210 x 297 mm
A3	297 x 420 mm
B5 JIS	182 x 257 mm
B4 JIS	257 x 364 mm

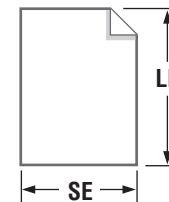
Tray 6	
Executive	7.25 x 10.5 in.
Letter	8.5 x 11.0 in.
A4	210 x 297 mm
B5 JIS	182 x 257 mm

Letter	8.5 x 11.0 in.
A4	210 x 297 mm

Monarch	3.87 x 7.5 in.
# 10	4.12 x 9.5 in.
DL	110 x 220 mm
C5	162 x 229 mm
C4	229 x 324 mm

Letter	8.5 x 11.0 in.
A4	210 x 297 mm

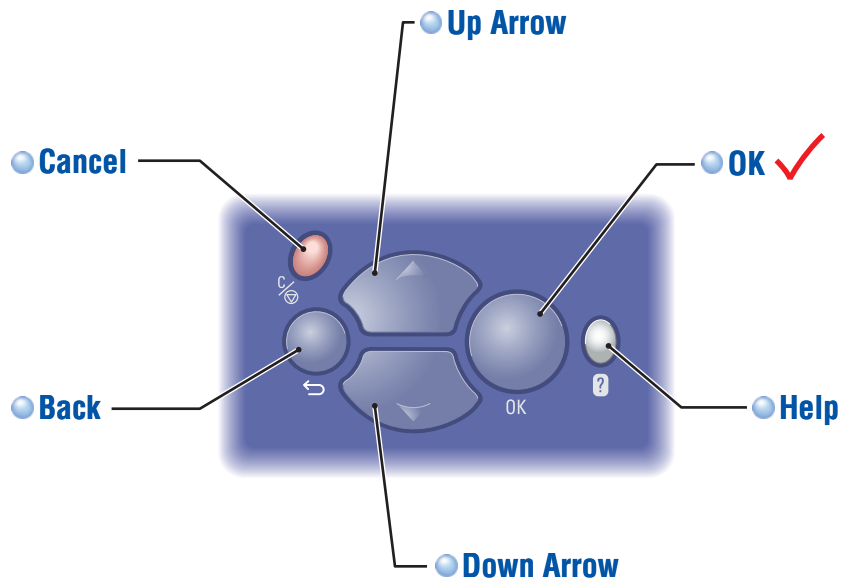
Custom (SE) x (LE)



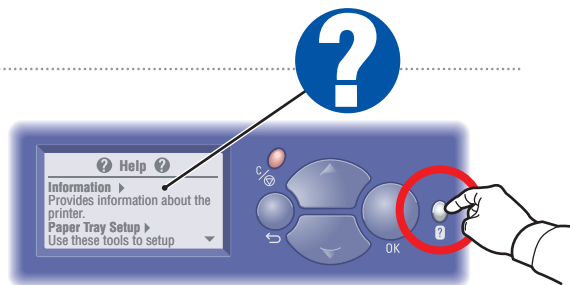
Tray 1 (MPT)	
SE	89–297 mm (3.5–11.7 in.)
LE	98–432 mm (3.87–17.0 in.)

Tray 2, 3, 4, 5	
SE	140–297 mm (5.5–11.7 in.)
LE	182–432 mm (7.16–17.0 in.)

Control Panel Buttons

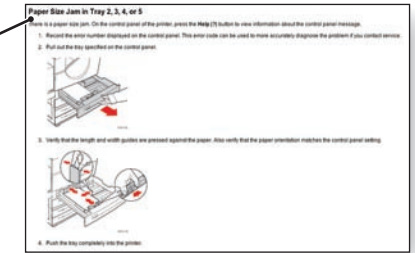
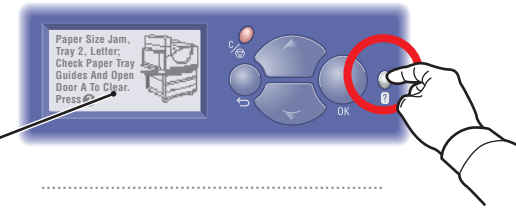


Help Button: Press at any time to display additional information about the message or menu.

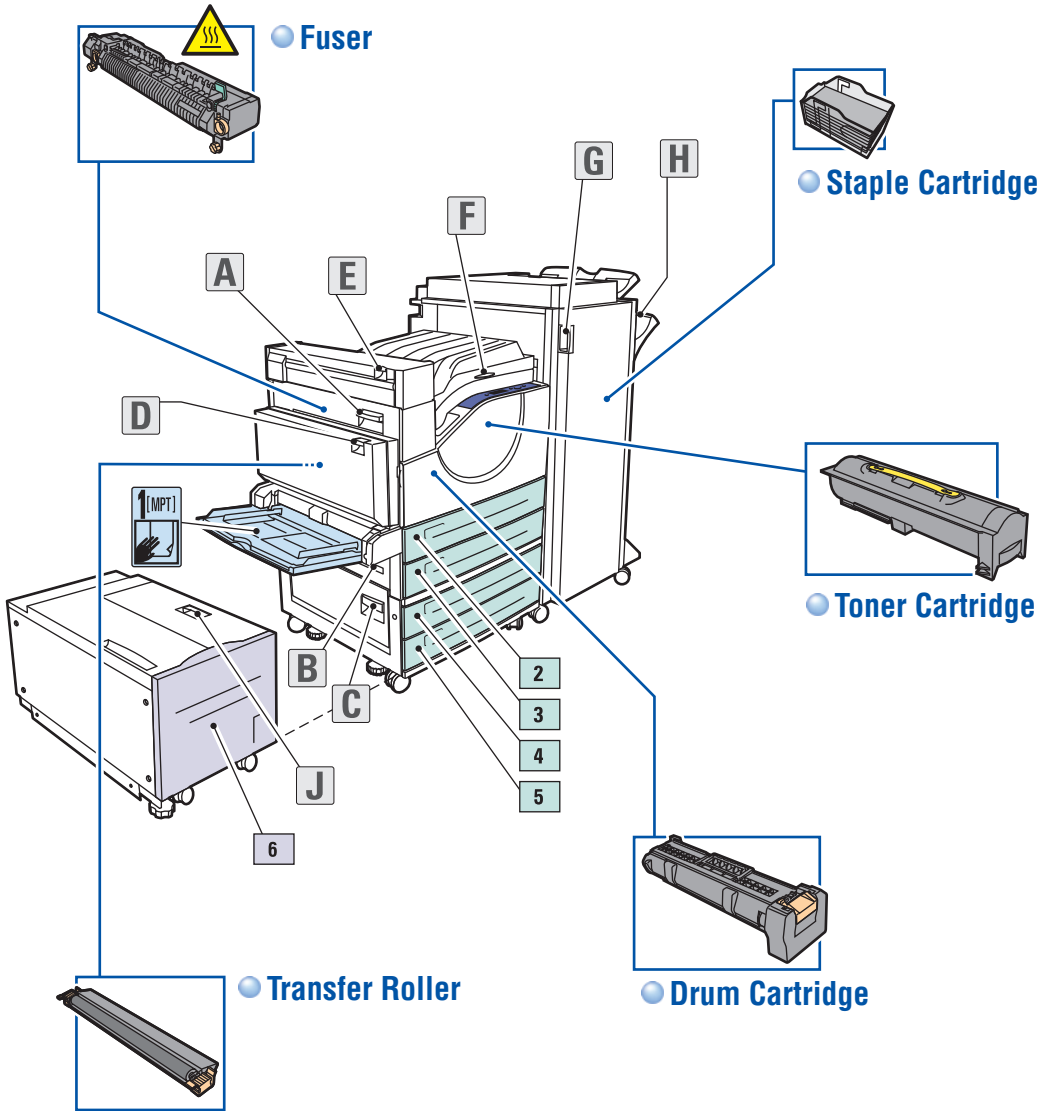


Paper Jams

- Press Help Button for jam clearing procedures.
- View PrintingScout® message or see the Troubleshooting chapter in the User Guide.



Printer Tour



Supplies Info

