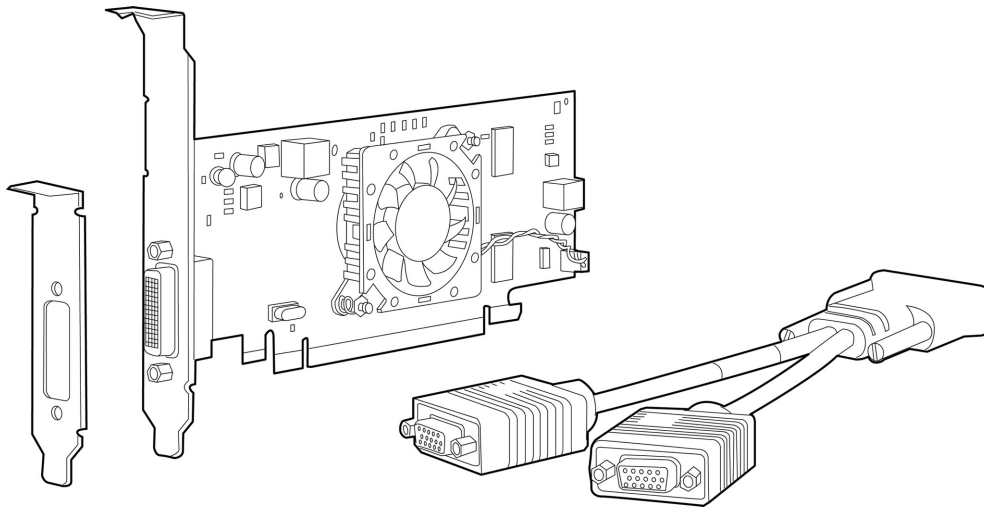


### Overview



---

### Models

AMD Radeon HD 8350 1 GB PCIe x16 DH Graphics Card

E1C63AA

---

### Introduction

Get stable 2D and advanced 3D graphics performance from the AMD Radeon HD 8350 1 GB PCIe x16 DH GFX, a low profile, PCI Express x16 graphics add-in card based on the AMD Radeon HD 8350 GPU, great for Web conferencing or video and photo editing.

---

### Performance and Features

- Get Dual VGA from the DMS-59 connector, and Dual DVI output through the optional kit<sup>1</sup>. HDCP support on DVI provides enhanced security for your content.
- Get peak bandwidth support from the full 16-lane PCIe 2.0 bus. Eliminate the need to share PC system memory with 1 GB DDR3 dedicated on-board graphics frame buffer memory.
- Unleash the best graphics performance possible from your GPU with AMD Catalyst, which allows you to customize a stable, reliable experience and quickly and easily adjust your GPU for optimal video performance.

<sup>1</sup>Sold separately, part number DL139A.

---

### Compatibility

The AMD Radeon HD 8350 is supported on the following platforms: HP ProDesk 600 TWR, SFF; HP EliteDesk 800 G1 TWR, HP Compaq 6305 Pro MT, SFF.

---

### Overview

#### **Service and Support**

The AMD Radeon HD 8350 has a one-year limited warranty or the remainder of the warranty of the HP product in which it is installed. Technical support is available seven days a week, 24 hours a day by phone, as well as online support forums. Parts and labor are available on-site within the next business day. Telephone support is available for parts diagnosis and installation. Certain restrictions and exclusions apply.

### Technical Specifications

<b>Form Factor (H x L)</b>	Low Profile: 2.713 × 6.15 in With full height bracket attached; Includes low profile bracket for installation into Small Form Factor chassis.
<b>Graphics Controller</b>	AMD Radeon HD 8350
<b>Bus Type</b>	PCI Express x16, 2.0 compliant
<b>Memory</b>	Size: 1 GB , DDR3, 64bit wide bus Clock: 875 Mhz Memory Bandwidth: 12.8 GB/s
<b>Connectors</b>	DMS-59, with support for dual VGA or dual DVI with the appropriate adapter cable.  <b>NOTE:</b> Optional cable required for DVI connectivity.
<b>Maximum Resolution</b>	2048 x 1536 VGA; 1920x1200 DVI

#### Display resolutions and refresh rates

**NOTE:** Other resolutions may be available but are not recommended as they may not have been tested and qualified by HP.

Resolution	Maximum Refresh Rate (Hz)	
	Analog Connection	Digital Connection
640x480	85	60
720x480	85	60
720x576	85	60
800x600	85	60
1024x768	85	60
1280x720	85	60
1280x768	85	60
1280x1024	85	60
1440x900	75	75
1600x1024	85	60
1600x1200	85	60
1680x1050	75	75-R
1920x1080	85	60-R
1920x1200	85	60-R
1920x1440	85	N/A
2048x1536	75	N/A
2560x1440	N/A	N/A
2560x1600	N/A	N/A

**Image Quality Features** AMD HD Media Accelerator:

- H.264
- VC-1
- MPEG-2
- Adobe Flash

Enhanced Video Quality features:

- Dual-stream (HD+SD) playback support

### Technical Specifications

- UVD 2 dedicated video playback accelerator
- Advanced post-processing and scaling
- Dynamic contrast enhancement and color correction
- Brighter whites processing (blue stretch)
- Independent video gamma control
- Dynamic video range control

### Display Output

Up to 2 displays in the following configurations:

Dual VGA :

- Drives two analog displays using the included HP DMS-59 to Dual VGA Cable

Dual DVI :

- Drives two DVI displays using the optional HP DMS59 to DVI Dual-head Connector Cable (DL139A)\*

\*This item is optional and sold separately.

### Shading Architecture

Shader Model 5.0

### Supported Graphics APIs

DX11, OpenGL 4.0

### Agency Approvals

BSMI, CE Mark, C-tick, FCC, ICES/C.I.S.P.R, KCC, UL, VCCI

### Available Graphics Drivers

Windows 8, Windows 8 Pro, Windows 7 Professional (64-bit and 32-bit)  
Red Hat Enterprise Linux (RHEL)  
SUSE Linux Enterprise Desktop 11 (64-bit and 32-bit)

HP qualified drivers may be preloaded or the latest HP qualified drivers are available from the HP support Web site: <http://welcome.hp.com/country/us/en/support.html>

Linux drivers are available from the AMD website and may be available in a Linux distribution. Refer to the Open Source and Linux from HP website: <http://www.hp.com/wwsolutions/linux/products/clients/> for support information.

### Power Consumption

20 Watts (Maximum)

**NOTE:** The thermal solution used on this card is a temperature controlled active fan heatsink to minimize acoustic noise

### Kit Contents

AMD Radeon HD 8350 1 GB PCIe x16 DH Graphics Card with attached full height bracket  
HP DMS 59 to dual VGA cable  
Low profile bracket  
Software Driver CD  
Documentation

© Copyright 2013 Hewlett-Packard Development Company, L.P.

The only warranties for HP products and services are set forth in the express warranty statements accompanying such products and services. Nothing herein should be construed as constituting an additional warranty. HP shall not be liable for technical or editorial errors or omissions contained herein. The information contained herein is subject to change without notice.

Microsoft, Windows, Windows 7, and Windows Vista are registered trademarks or trademarks of Microsoft Corporation in the U.S. and/or other countries. AMD, ATI, and Radeon are registered trademarks of Advanced Micro Devices, Inc.