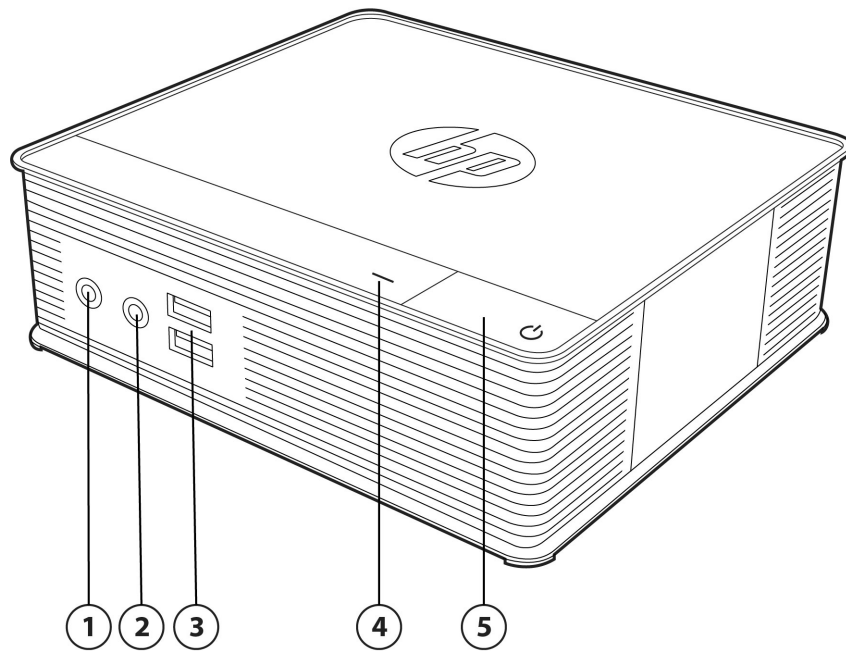


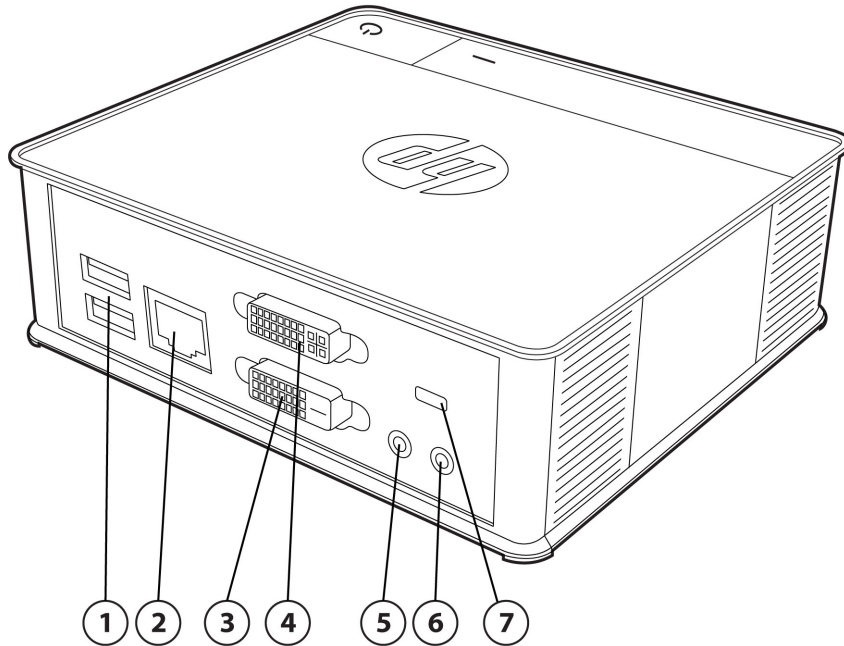
### Overview



**FRONT**

1. 3.5mm Microphone
2. 3.5mm Headphone
3. USB 2.0 (2)
4. PCoIP connect LED
5. Power button/ LED

### Overview



#### BACK

1. USB 2.0 (2)
2. RJ-45 NIC or Fiber NIC
3. DVI-D connector
4. DVI-I connector
5. Speaker jack
6. 12V DC power jack
7. HP Cable Lock Slot

#### Hardware features:

- TERA2321 PCoIP Zero Client processor
- 512 MB DDR3 1333 MHz RAM
- 32 MB SPI Flash memory to store firmware
- 10/100/1000 Gigabit Ethernet (RJ-45) or 100Mbps Fiber NIC
- Supports up to 2 displays, using 1 DVI-D and 1 DVI-I connection at resolution up to 1920x1200 at 60Hz or single digital display at resolutions up to 2560x1600 using a custom DVI dual-link cable
- 4 USB 2.0 ports: 1 for keyboard, 1 for mouse, 2 for other USB devices
- Contains over 10% post-consumer recycled plastics (by weight)

#### HP PCoIP Zero Client System Features:

- Uses the TERA2321 PCoIP Zero Client Processor to provide dedicated hardware decode of the PCoIP desktop
- Delivers a high performance end-user experience using the PCoIP protocol
- Fully interoperable with all PCoIP endpoints including PCoIP virtual desktops, PCoIP remote workstation hosts and APEX 2800 server offload cards
- Full power management with Wake-on-LAN support

### Overview

- AES-128 bit or AES-256 bit encryption
- No application operating system and no persistent user data is stored on the zero client device
- Simple and quick to deploy and manage using the PCoIP Management Console (available from [techsupport.teradici.com](http://techsupport.teradici.com))

### Warranty:

HP Total Care Warranty and Services: limited three-year hardware warranty in most regions. HP Care Pack Services extend service contracts beyond your standard warranties. For more details visit: <http://www.hp.com/go/lookuptool>.

### Technical Specifications

#### OPERATING SYSTEM

No Operating System

---

#### PROCESSOR

TERA2321 PCoIP Zero Client processor

---

#### MEMORY

Flash (boot drive) memory

32 MB SPI

System memory

512 MB DDR3 1333 MHz RAM

---

#### DISPLAY

Supports up to 2 displays; 1 DVI-D, 1 DVI-I with resolutions up to 1920x1200 at 60Hz or single digital display at resolutions up to 2560x1600 using a custom DVI dual-link cable.

---

#### INPUT/OUTPUT (peripheral support)

**Keyboard**

USB

**Mouse**

USB

---

#### AUDIO

**Output**

1/8-inch mini-jack, 16, 20, 24, or 32-bit stereo,  
8-96 kHz sample rate

**Input**

1/8-inch microphone mini-jack, 16, 20, 24, or 32-bit stereo -bit stereo,  
96 kHz sample rate

---

#### HARDWARE SECURITY

HP Cable Lock Slot

---

#### NETWORKING & COMMUNICATIONS

##### **Hardware networking**

10/100/1000 Gigabit Ethernet (RJ-45) or 100Mbps Fiber NIC

Wake on LAN (WOL) using magic packet

TCP/IP with DNS and DHCP

UDP

---

### Technical Specifications

#### I/O PORTS & CONNECTORS

- 4 USB 2.0 (two on Front, two on Rear)
- 1 NIC (RJ-45 or Fiber)
- 1 Microphone
- 1 Headphone
- 1 Speaker
- 1 Power Connector
- 1 DVI-D Connector
- 1 DVI-I Connector

**NOTE:** 2 of 4 USB 2.0 ports used for keyboard and mouse.

---

#### PLATFORM

<b>Host Support</b>	VMware Horizon View, PCoIP remote workstations
<b>Protocols</b>	PCoIP
<b>Management</b>	PCoIP Management Console (available from <a href="http://techsupport.teradici.com">techsupport.teradici.com</a> )

---

#### LANGUAGES

English, French, German, Italian, Spanish, Portuguese, Greek, Traditional Chinese, Simplified Chinese, Japanese, and Korean

---

#### DIMENSIONS (WxDxH)

5.98 x 5.24 x 1.85 in  
15.2 x 13.31 x 4.7 cm

---

#### WEIGHT

1.39 lbs  
0.63 kg

---

#### VOLUME

.95 liters

---

#### POWER

36 W AC adapter (12V DC)  
Worldwide auto-sensing 100-240 VAC, 50-60 Hz

---

### Technical Specifications

#### ENVIRONMENTAL

<b>Operating temperature range</b>	<u>Standard</u> 50° to 104° F (10° to 35° C)
<b>Non-operating temperature range</b>	-4° to 158° F (-20° to 70° C)
<b>Humidity</b>	<u>Condensing</u> 10% to 90% non-condensing

**NOTE:** Specifications are at sea level with altitude derating of 1° C/300m (1.8° F/1000ft) to a maximum of 3 Km (10,000 ft), with no direct, sustained sunlight. Upper limit may be limited by the type and number of options installed.

#### REGULATORY COMPLIANCE

<b>Ergonomics</b>	German ZH1/618; EN29241-3, approved
<b>Safety</b>	UL 60950-1; cUL No. 60950-1-07; IEC 60950-1; EN60950-1; EK1-ITB2000
<b>Electro-Magnetic Compatibility</b>	CE (EN 55022; EN55024; EN 61000-3-2; EN61000-3-3); FCC (CFR 47, Part 15); ICES-003; VCCI

### Technical Specifications – Environmental Data

#### ENERGY CONSUMPTION (Idle mode data are ready)

	115 VAC (60Hz)	230 VAC (50Hz)	100 VAC (60Hz)
Idle State: (Monitor on & Network connected)	7.1 W	7.3 W	7.1 W
Idle State: (Monitor off & Network not connected)	6.7 W	6.7 W	6.7 W
Off Mode: (WoL Enabled)	1.4 W	1.4 W	1.4 W
Off Mode: (WoL Disabled)	0.8 W	0.8 W	0.8 W

**NOTE:** This product is in compliance with US executive order 13221, WOL (wake on LAN) disabled.

**NOTE:** The actual power consumption at your location could vary and is dependent on many factors including but not limited to software load on the thin client, attached peripherals, and environmental factors.

#### HEAT DISSIPATION

	115 VAC (60Hz)	230 VAC (50Hz)	100 VAC (60Hz)
Idle State: (Monitor on & Network connected)	24.22 BTU/hr	24.90 BTU/hr	24.22 BTU/hr
Idle State: (Monitor off & Network not connected)	22.86 BTU/hr	22.86 BTU/hr	22.86 BTU/hr
Off Mode: (WoL Enabled)	4.78 BTU/hr	4.78 BTU/hr	4.78 BTU/hr
Off Mode: (WoL Disabled)	2.73 BTU/hr	2.73 BTU/hr	2.73 BTU/hr

**NOTE:** Heat dissipation is calculated based on the measured watts, assuming the service level is attained for one hour

#### RECYCLED MATERIAL

- |                  |   |
|------------------|---|
| <b>Product</b>   | <ul style="list-style-type: none"> <li>• This product contains at least 10% recycled materials (by weight).</li> <li>• This product is at least 90% (by weight) recyclable when disposed of properly at end of life.</li> </ul>   |
| <b>Packaging</b> | <ul style="list-style-type: none"> <li>• Bamboo packaging material contains at least 30% (by weight) post-consumer recycled content.</li> <li>• The corrugated paper packaging materials contains at least 80% (by weight) post-consumer recycled content.</li> <li>• The packaging for this product is 100% (by weight) recyclable when disposed of properly.</li> </ul> |

#### RoHS COMPLIANCE

### Technical Specifications – Environmental Data

Hewlett-Packard is committed to compliance with all applicable environmental laws and regulations, including the European Union Restriction of Hazardous Substances (RoHS) Directive. HP's goal is to exceed compliance obligations by meeting the requirements of the RoHS Directive on a worldwide basis. From July 1, 2006, RoHS substances will be virtually eliminated (virtually = to levels below legal limits) for all HP electronic products subject to the RoHS Directive, except where it is widely recognized that there is no technically feasible alternative (as indicated by an exemption under the EU RoHS Directive).

#### MATERIAL USAGE

This product does not contain any of the following substances in excess of regulatory limits (refer to the HP General Specification for the Environment at: [http://www.hp.com/hpinfo/globalcitizenship/environment/supplychain/gen\\_specifications.html](http://www.hp.com/hpinfo/globalcitizenship/environment/supplychain/gen_specifications.html)):

- Asbestos
- Certain Azo Colorants
- Certain Brominated Flame Retardants - may not be used as flame retardants in plastics
- Cadmium
- Chlorinated Hydrocarbons
- Chlorinated Paraffins
- Formaldehyde
- Halogenated Diphenyl Methanes
- Lead carbonates and sulfates
- Lead and Lead compounds
- Mercuric Oxide Batteries
- Nickel - finishes must not be used on the external surface designed to be frequently handled or carried by the user.
- Ozone Depleting Substances
- Polybrominated Biphenyls (PBBs)
- Polybrominated Biphenyl Ethers (PBBEs)
- Polybrominated Biphenyl Oxides (PBBOs)
- Polychlorinated Biphenyl (PCB)
- Polychlorinated Terphenyls (PCT)
- Polyvinyl Chloride (PVC) - except for wires and cables, and certain retail packaging has been voluntarily removed from most applications.
- Radioactive Substances
- Tributyl Tin (TBT), Triphenyl Tin (TPT), Tributyl Tin Oxide (TBTO)

#### Packaging

HP follows these guidelines to decrease the environmental impact of product packaging:

- Eliminate the use of heavy metals such as lead, chromium, mercury and cadmium in packaging materials.
- Eliminate the use of ozone-depleting substances (ODS) in packaging materials.
- Design packaging materials for ease of disassembly.
- Maximize the use of post-consumer recycled content materials in packaging materials.
- Use readily recyclable packaging materials such as paper and corrugated materials.
- Reduce size and weight of packages to improve transportation fuel efficiency.
- Plastic packaging materials are marked according to ISO 11469 and DIN 6120 standards.

#### End-of-life Management and Recycling

Hewlett-Packard offers end-of-life HP product return and recycling programs in many geographic areas. To recycle your product, please go to: <http://www.hp.com/recycle> or contact your nearest HP sales office. Products returned to HP will be recycled, recovered or disposed of in a responsible manner.



### Technical Specifications – Environmental Data

The EU WEEE directive (2002/95/EC) requires manufacturers to provide treatment information for each product type for use by treatment facilities. This information (product disassembly instructions) is posted on the Hewlett Packard web site at: <http://www.hp.com/go/recyclers>.

These instructions may be used by recyclers and other WEEE treatment facilities as well as HP OEM customers who integrate and re-sell HP equipment.

#### **Hewlett-Packard Corporate Environmental Information**

For more information about HP's commitment to the environment:

Global Citizenship Report:

<http://www.hp.com/hpinfo/globalcitizenship/gcreport/index.html>

Eco-label certifications:

<http://www.hp.com/hpinfo/globalcitizenship/environment/productdesign/ecolabels.html>

ISO 14001 certificates:

<http://www.hp.com/hpinfo/globalcitizenship/environment/operations/envmanagement.html>

### Options and Accessories (sold separately)

		<b>Part Number</b>
<b>Accessories</b>	VESA Mount Bracket	F7X24AA
<b>Input Devices</b>	HP USB CCID Smartcard Keyboard	BV813AA
<b>Security</b>	HP Cable Lock	PC766A

© Copyright 2014 Hewlett-Packard Development Company, L.P. The information contained herein is subject to change without notice and is provided "as is" without warranty of any kind. The warranties for HP products and services are set forth in the express limited warranty statements accompanying such products and services. Nothing herein should be construed as constituting an additional warranty. HP shall not be liable for technical or editorial errors or omissions contained herein. Microsoft and Windows are trademarks of the Microsoft group of companies.