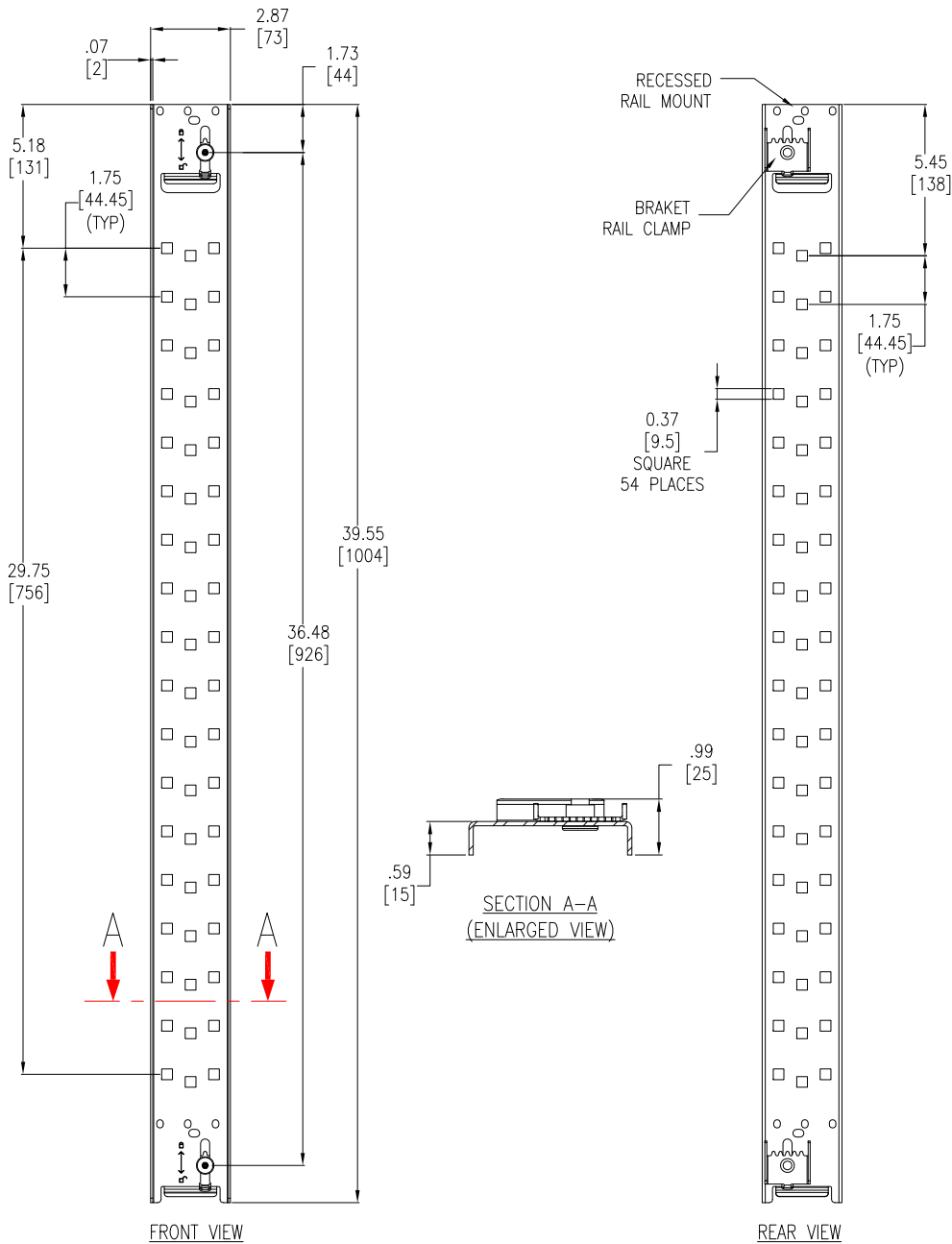
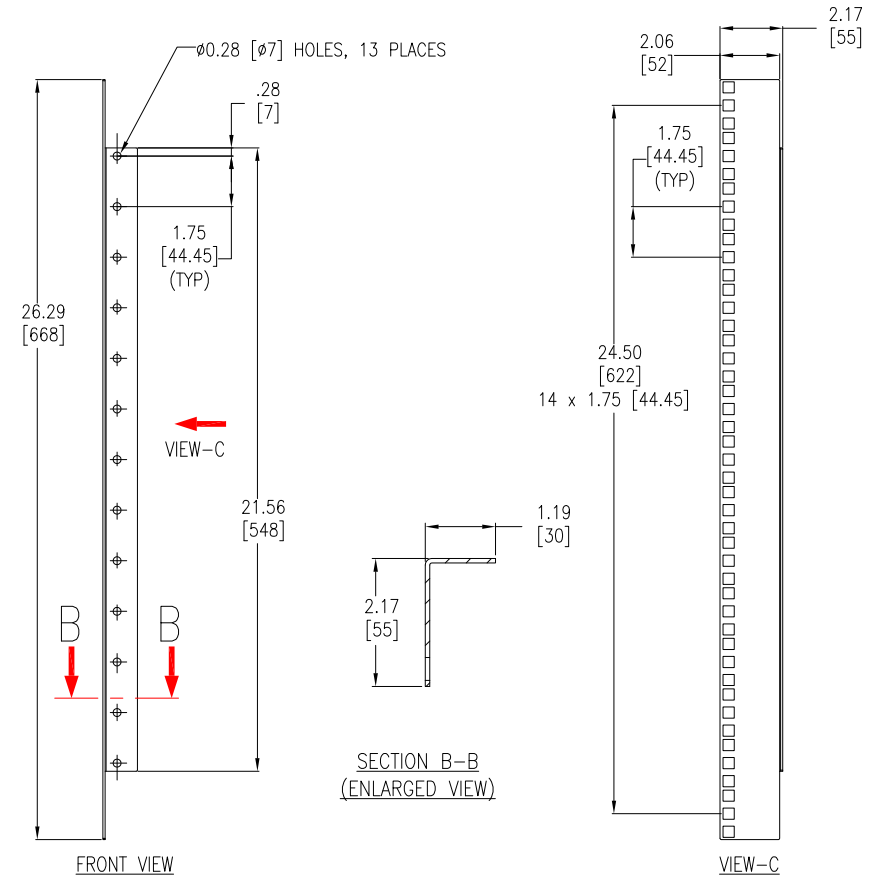


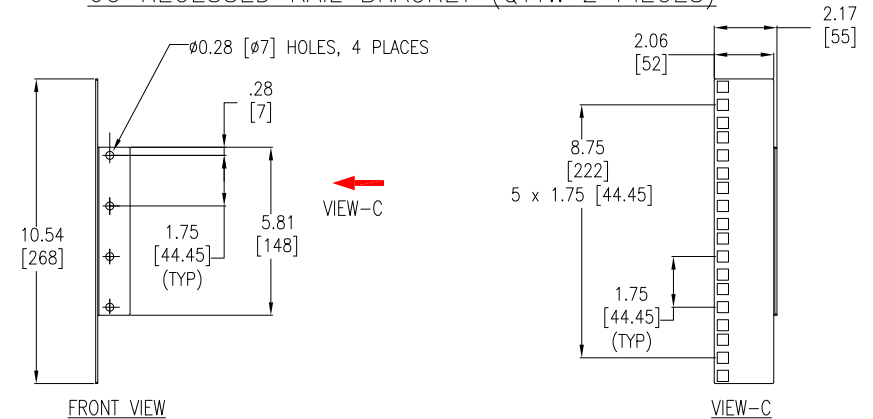
RECESSED RAIL MOUNT (QTY.: 2 PIECES)



15U RECESSED RAIL BRACKET (QTY.: 2 PIECES)



6U RECESSED RAIL BRACKET (QTY.: 2 PIECES)



NOTES:

1. INSTALLATION SHALL COMPLY WITH ALL APPLICABLE NATIONAL AND LOCAL CODES.
2. SEE PRODUCT DOCUMENTATION FOR FURTHER INFORMATION.
3. UNLESS OTHERWISE SPECIFIED, ALL DIMENSIONS ARE IN INCHES [MILLIMETERS].
4. WEIGHT OF UNIT IS 8 LBS. [3.64 kg].

THIS DRAWING AND SPECIFICATIONS HEREIN ARE THE PROPERTY OF SCHNEIDER ELECTRIC AND SHALL NOT BE COPIED, REPRODUCED OR USED IN WHOLE OR IN PART, AS THE BASIS FOR THE MANUFACTURE OR SALE OF ITEMS WITHOUT WRITTEN PERMISSION FROM SCHNEIDER ELECTRIC. THIS DRAWING IS BASED UPON LATEST AVAILABLE INFORMATION AND IS SUBJECT TO CHANGE WITHOUT NOTICE.



TITLE: RECESSED RAIL KIT
NETSHELTER SX, 42U, 24in. [600mm] WIDE
MAIN MECHANICAL

PROJECT: STD SUBMITTAL DRAWINGS SHEET 1 OF 2

DWG NO: **AR7503**

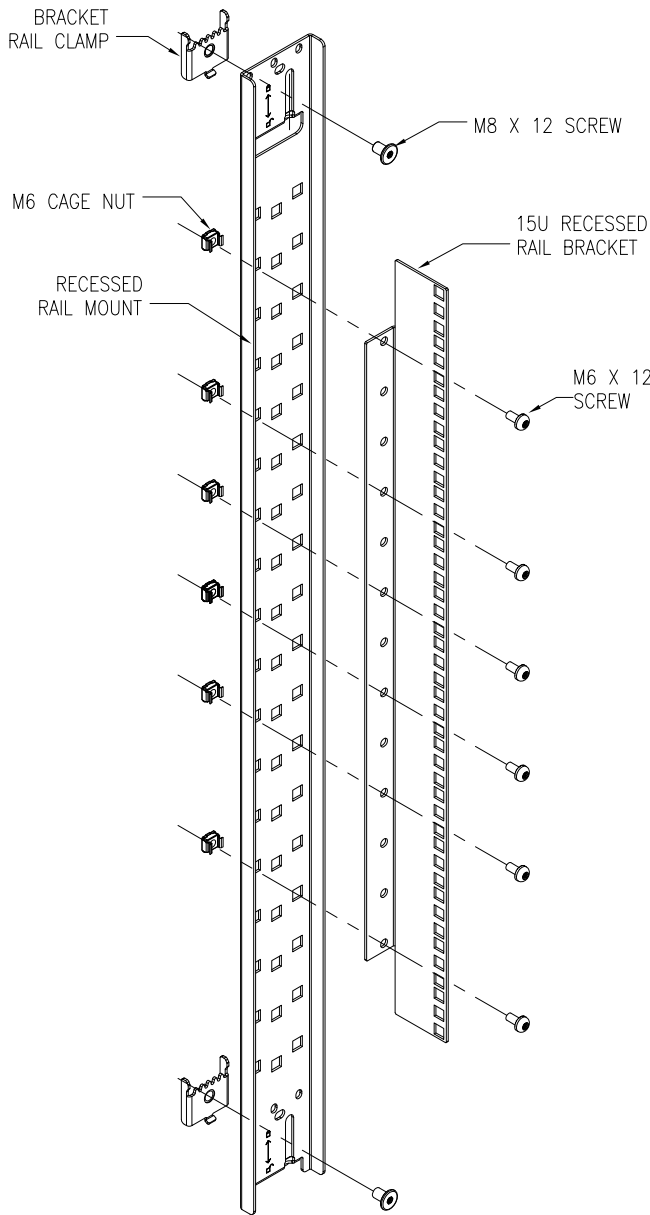
DRAWN BY: JAYAPRAKASH 14-NOV-07

ENGINEER: M UHRHAN/B OLIVER 15-NOV-07

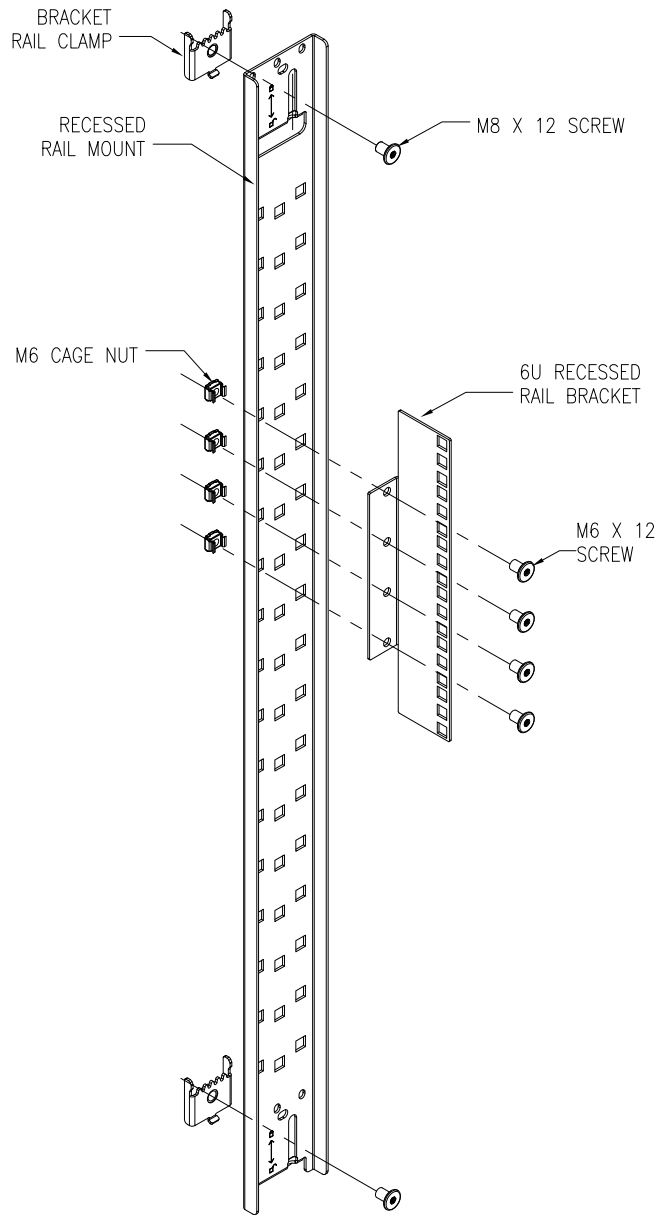
APPROVED BY: BSHENDANE/SILVIA LARSEN/ASH 15-NOV-07

REV 0

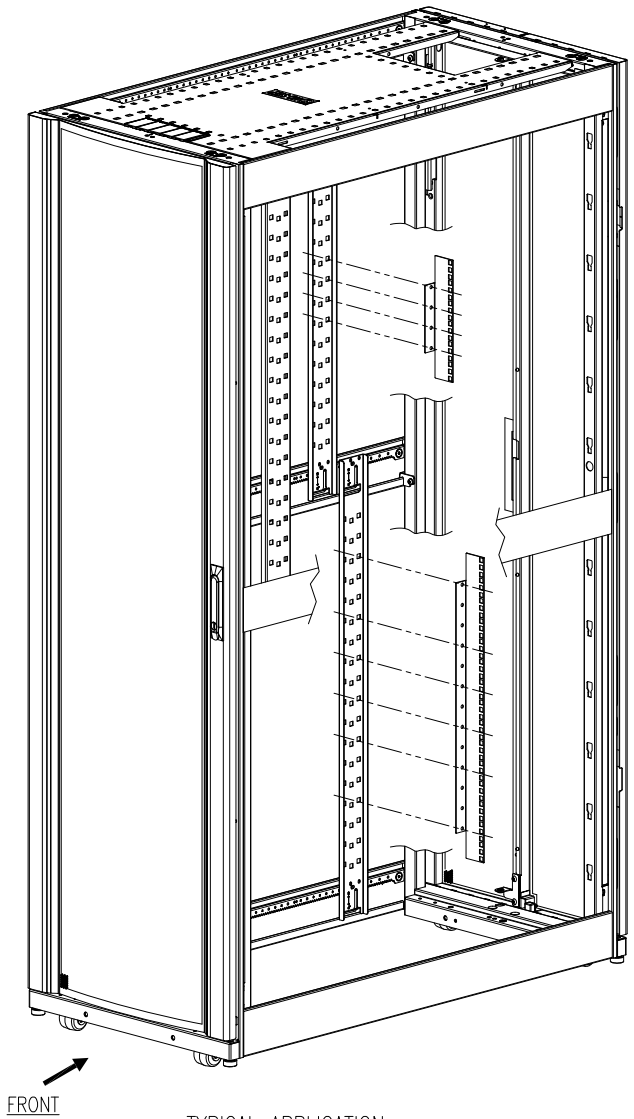
THIRD ANGLE PROJ



ISOMETRIC VIEW WITH 15U RECESSED RAIL BRACKET
(EXPLODED VIEW)



ISOMETRIC VIEW WITH 6U RECESSED RAIL BRACKET
(EXPLODED VIEW)



TYPICAL APPLICATION
(DIMETRIC VIEW)

NOTES:

1. INSTALLATION SHALL COMPLY WITH ALL APPLICABLE NATIONAL AND LOCAL CODES.
2. SEE PRODUCT DOCUMENTATION FOR FURTHER INFORMATION.

THIS DRAWING AND SPECIFICATIONS HEREIN ARE THE PROPERTY OF SCHNEIDER ELECTRIC AND SHALL NOT BE COPIED, REPRODUCED OR USED IN WHOLE OR IN PART, AS THE BASIS FOR THE MANUFACTURE OR SALE OF ITEMS WITHOUT WRITTEN PERMISSION FROM SCHNEIDER ELECTRIC. THIS DRAWING IS BASED UPON LATEST AVAILABLE INFORMATION AND IS SUBJECT TO CHANGE WITHOUT NOTICE.



TITLE: RECESSED RAIL KIT
NETSHELTER SX, 42U, 24in. [600mm] WIDE
ISOMETRIC VIEWS

PROJECT: STD SUBMITTAL DRAWINGS SHEET 2 OF 2

DWG NO: **AR7503**

DRAWN BY: JAYAPRAKASH 14-NOV-07

ENGINEER: M UHRHAN/B OLIVER 15-NOV-07

APPROVED BY: B SHERIDAN/SILVIA LARSEN/S WASH 15-NOV-07

REV 0

PROJ ANGLE N/A